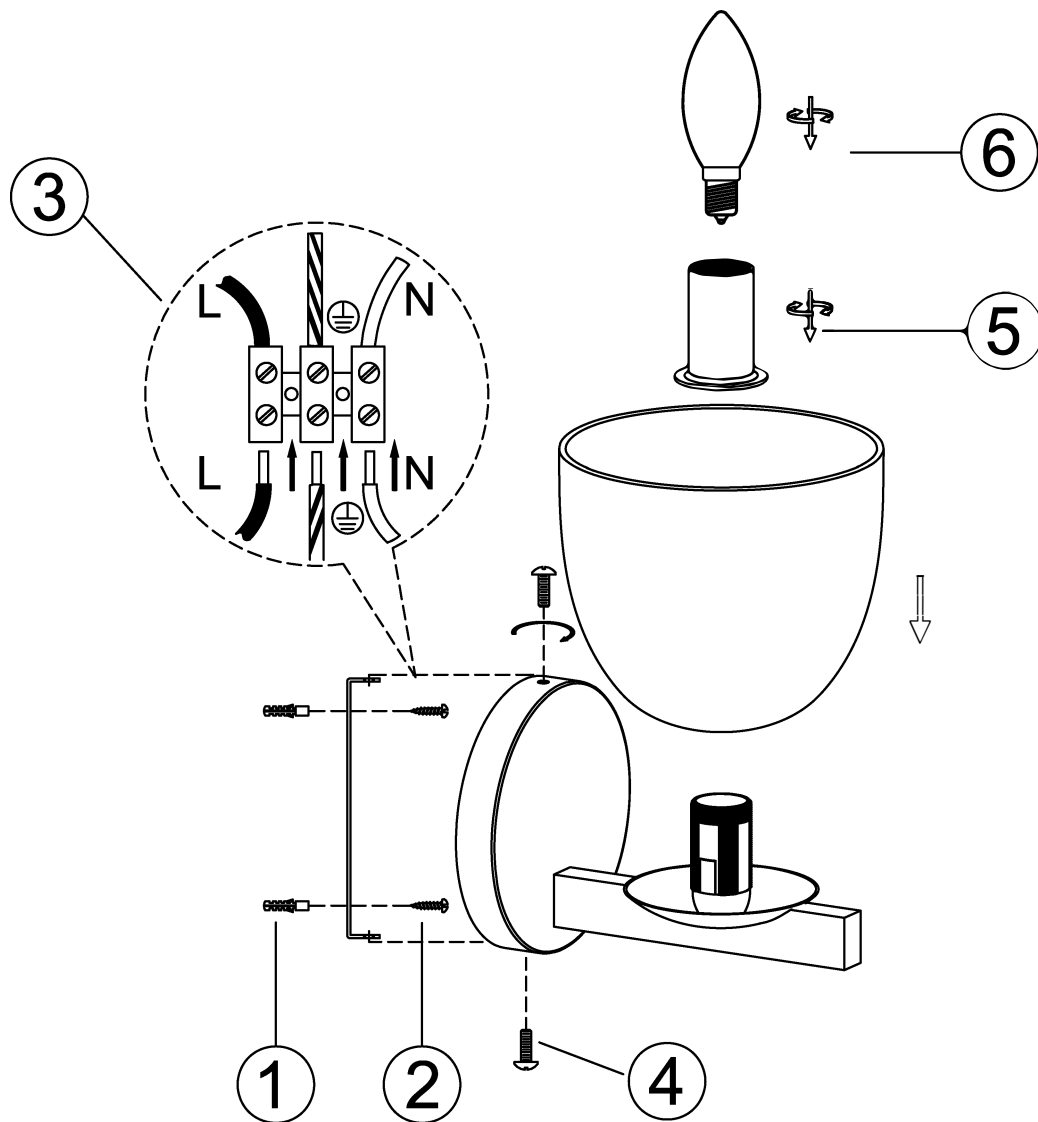


ITEM NO.: RADAM WB1



IP20

240V - 50Hz E14 Max.25Wx1

Telbix. NOTE: GLOBE NOT INCLUDED

IMPORTANT

Must be installed by a qualified electrical contractor.

Install in accordance with AS/NZS3000