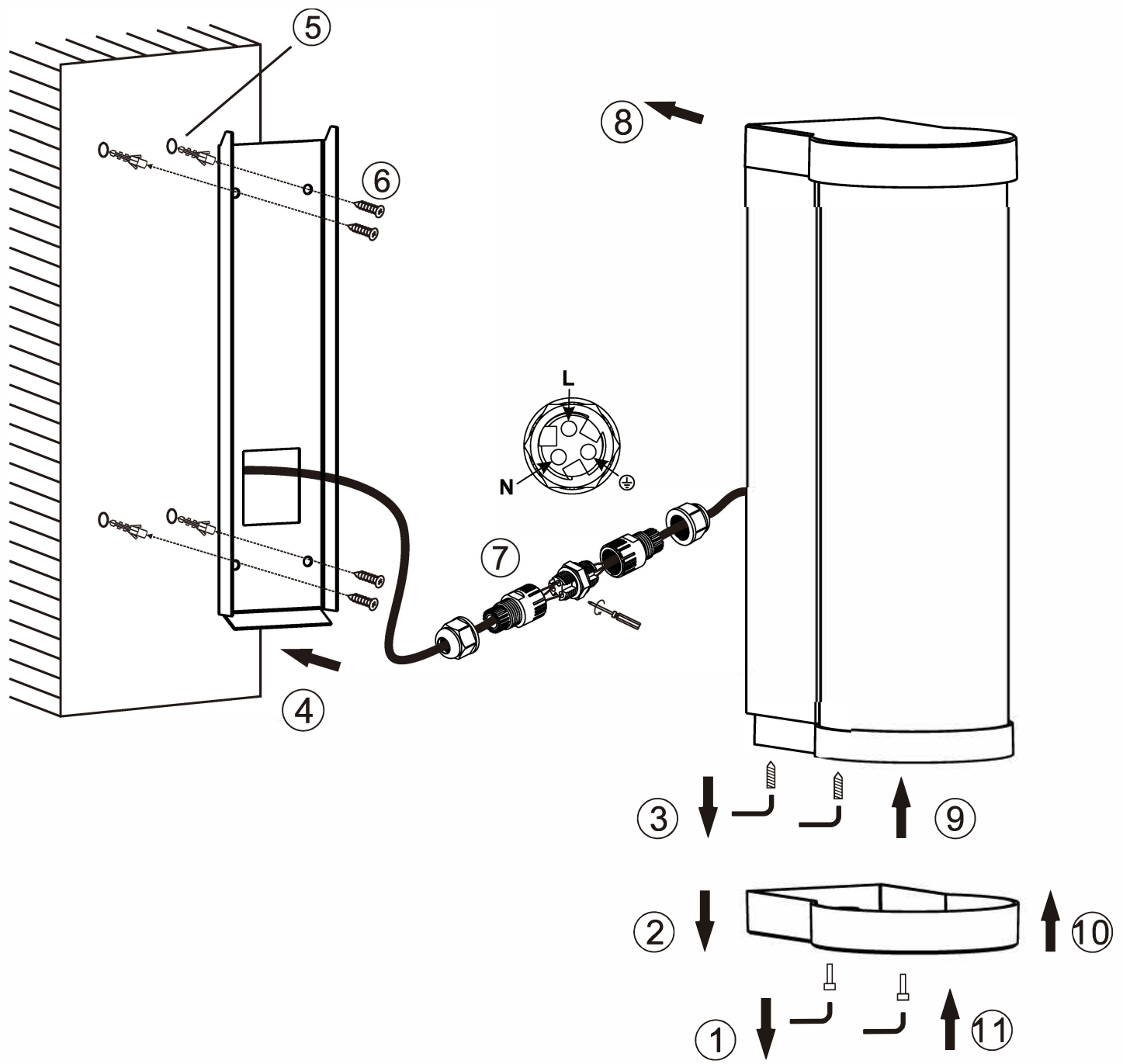


ITEM NO.: GEVET EX50



IMPORTANT
 Must be installed by
 a qualified electrical
 contractor.
 Install in accordance
 with AS/NZS3000



240V ~ 50Hz LED 24W 3000K
 NON-DIM