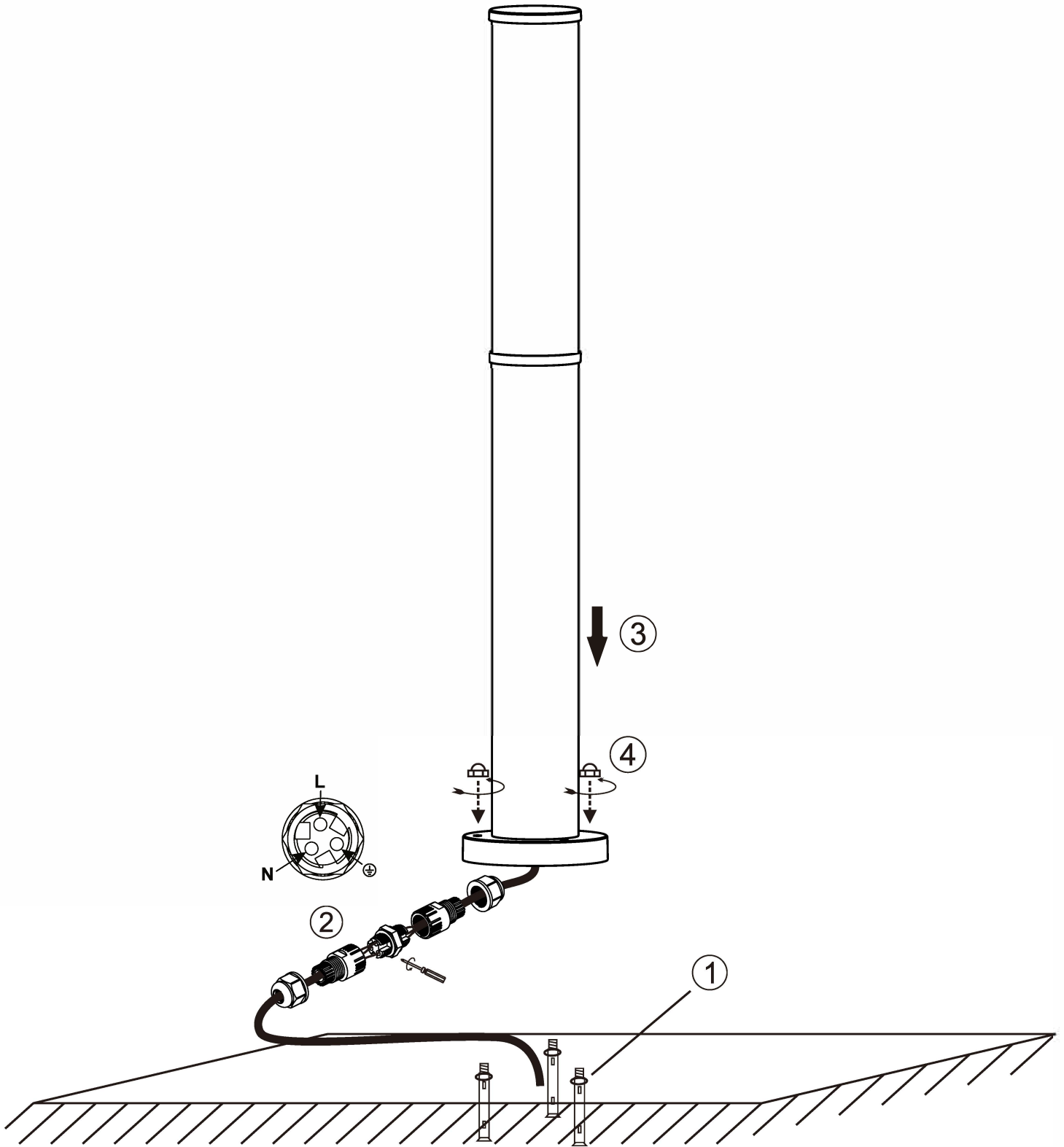


ITEM NO.: GEVET EX.P80



IMPORTANT
Must be installed by
a qualified electrical
contractor.
Install in accordance
with AS/NZS3000



240V ~ 50Hz LED 12W 3000K
NON-DIM