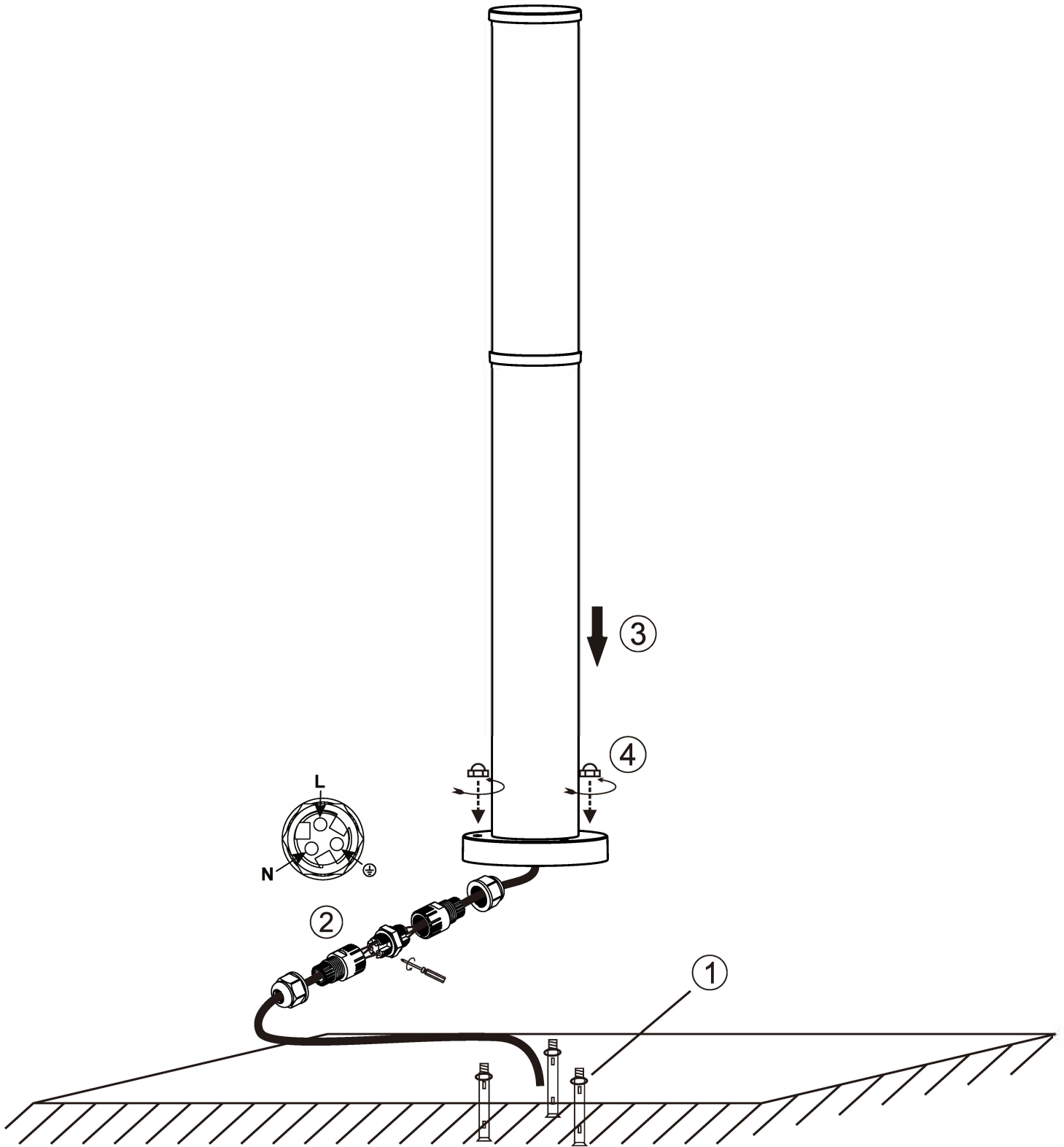


ITEM NO.: GEVET EX.P230



**IMPORTANT**  
Must be installed by  
a qualified electrical  
contractor.  
Install in accordance  
with AS/NZS3000



240V ~ 50Hz LED 34W 3000K  
NON-DIM