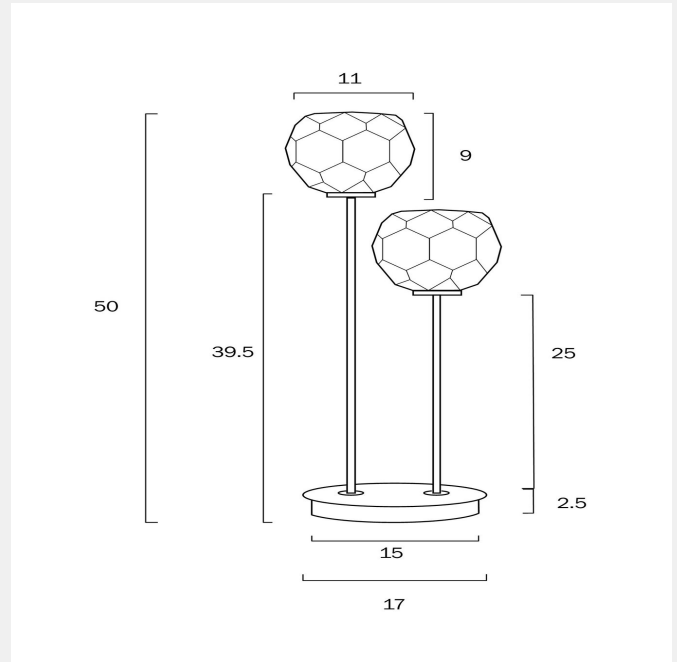


## ZAHA TABLE LAMP



### LIGHT SOURCE

**Voltage Input**

240V

**Total Wattage (max)**

6

**Wattage**

3

**Globe Type**

G9

**Globe / Light Source qty**

2

**Globe / Light Source included**

No

**Color Kelvin**

3000k

**Color Temperature**

Warm White

**Dimmable**

Globe Dependant

**CRI (Color Rendering Index)**

>80

### SPECIFICATIONS

**Lead and Plug**

Yes

**Switch**

Inline Switch

**IP rating**

IP20

**Electrical Protection**

CLASS II - DOUBLE INSULATED, EARTH NOT REQUIRED

### COLOUR AND MATERIAL

**Fixture Material**

Iron,Crystal

### PRODUCT DIMENSIONS

**Fixture Height (cm)**

50

**Fixture Diameter (cm)**

17

**Cable Length (cm)**

180 (30+Inline Switch+150)

**telbix.**

## WARRANTY

---

Replacement Warranty

\*3 Years

## CARE

---

Care Instructions

Do not use strong liquid cleaners,Wipe clean with a dry cloth

## VARIANTS

---

[ZAHA TL2-AGCR] ZAHA TABLE  
LAMP (ANTIQUÉ GOLD)



9329501057674

[ZAHA TL2-CHCR] ZAHA TABLE  
LAMP (CHROME)



9329501057667

Find ZAHA TABLE LAMP on  
[www.telbix.com](http://www.telbix.com)

