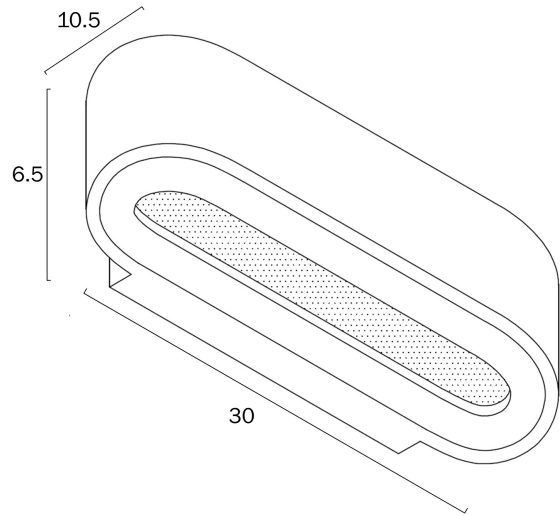


STRATON GYPSUM INDOOR WALL LIGHT



Note: Dimensions are only a guide and may vary due to manufacturing variations.

LIGHT SOURCE

Voltage Input

240V

Total Wattage (max)

18

Wattage

9

Globe Type

G9

Globe / Light Source qty

2

Globe / Light Source included

No

Dimmable

Globe Dependant

SPECIFICATIONS

Lead and Plug

No

IP rating

IP20

Electrical Protection

CLASS I - HIGH VOLTAGE, EARTH REQUIRED

Mounting

Surface

Height Adjustable?

No

COLOUR AND MATERIAL

Fixture Material

Gypsum

Fixture Finish

Matte

PRODUCT DIMENSIONS

Fixture Weight (Kg)

1.333

Fixture Projection (cm)

10.5

Fixture Width (cm)

30

Fixture Height (cm)

6.5

WARRANTY

Replacement Warranty

*3 Years

OTHER

Installation Required

Yes (by Licensed Electrician only)

CARE

Care Instructions

Do not use strong liquid cleaners, Wipe clean with a dry cloth, Aluminium, Brass and Stainless Steel will naturally oxidised and change overtime. Exterior products require regular four (4) monthly cleaning and maintenance to ensure they do not accumulate dirt or other environmental deposits. Wipe the product with a mild detergent and warm water to remove surface deposits. Rinse with fresh water and wipe dry with a soft cloth. An extra temporary protection barrier of water displacement oil can help to maintain the surface, such as WD40, sprayed onto a soft cloth and rubbed onto the surface.

VARIANTS

[STRATON WB-WH] STRATON
GYPSUM INDOOR WALL LIGHT



9329501068786

Find STRATON GYPSUM INDOOR WALL LIGHT on
www.telbix.com

