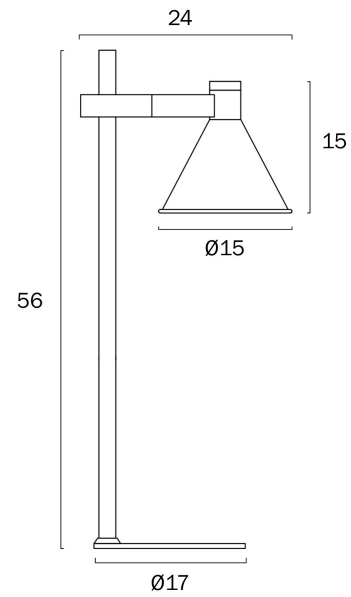


## ROSNER LED TABLE LAMP



Note: Dimensions are only a guide and may vary due to manufacturing variations.

### LIGHT SOURCE

**Voltage Input**

240V

**Total Wattage (max)**

6

**Globe Type**

GU10

**Globe / Light Source qty**

1

**Globe / Light Source included**

No

**Dimmable**

Globe Dependant

### SPECIFICATIONS

**Lead and Plug**

Yes

**Switch**

Inline Switch

**IP rating**

IP20

### Electrical Protection

CLASS II - DOUBLE INSULATED, EARTH NOT REQUIRED

### COLOUR AND MATERIAL

**Fixture Material**

Iron

**Fixture Finish**

Sand

### PRODUCT DIMENSIONS

**Fixture Weight (Kg)**

1.75

**Fixture Height (cm)**

56

**Fixture Length (cm)**

17

**Fixture Width (cm)**

24

**Cable Length (cm)**

180 (30+Inline Switch+150)

## WARRANTY

---

### Replacement Warranty

\*3 Years

## CARE

---

### Care Instructions

Do not use strong liquid cleaners,Wipe clean with a dry cloth

## VARIANTS

---

[ROSNER TL-BK] ROSNER LED  
TABLE LAMP (BLACK)



9329501072172

[ROSNER TL-WH] ROSNER LED  
TABLE LAMP (WHITE)



9329501072189

Find ROSNER LED TABLE LAMP on  
[www.telbix.com](http://www.telbix.com)

