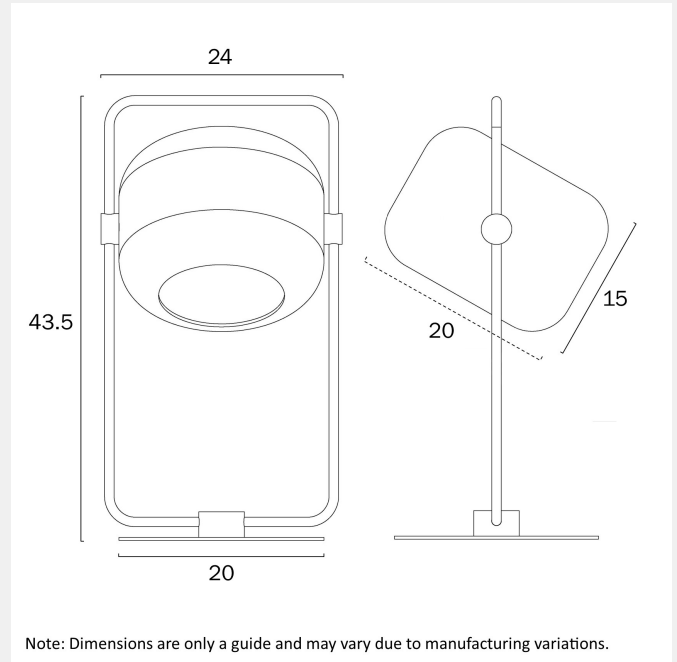


## ROCHA TABLE LAMP



### LIGHT SOURCE

**Voltage Input**

240V

**Total Wattage (max)**

25

**Globe Type**

E27

**Globe / Light Source qty**

1

**Globe / Light Source included**

No

**Dimmable**

Globe Dependant

### SPECIFICATIONS

**Lead and Plug**

Yes

**Switch**

Inline Switch

**IP rating**

IP20

**Electrical Protection**

CLASS II - DOUBLE INSULATED, EARTH NOT REQUIRED

### COLOUR AND MATERIAL

**Fixture Material**

Iron,Glass

**Fixture Finish**

Antique Gold Gloss, Black Matte

### PRODUCT DIMENSIONS

**Fixture Weight (Kg)**

2

**Fixture Height (cm)**

43.5

**Fixture Width (cm)**

24

**Cable Length (cm)**

180 (30+Inline Switch+150)

### WARRANTY

**Replacement Warranty**

\*3 Years

**CARE**

---

**Care Instructions**

Do not use strong liquid cleaners,Wipe clean with a dry cloth

**VARIANTS**

---

[ROCHA TL-AGOP] ROCHA  
TABLE LAMP (ANTIQUÉ GOLD)



9329501067024

[ROCHA TL-BKOM] ROCHA  
TABLE LAMP (BLACK| OPAL  
MATT)



9329501067031

[ROCHA TL-BKSM] ROCHA  
TABLE LAMP (BLACK| SMOKE)



9329501067048

Find ROCHA TABLE LAMP on  
[www.telbix.com](http://www.telbix.com)

