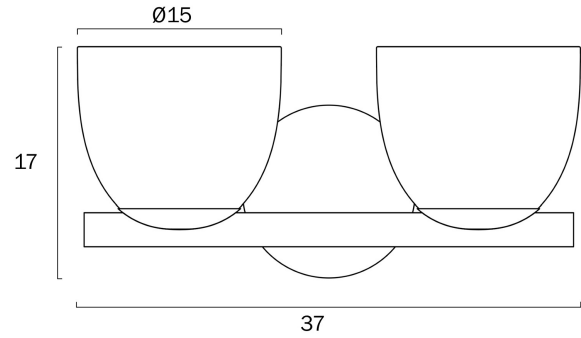


RADAM TWIN WALL LIGHT



Canopy:
Ø12.7 x P2



Note: Dimensions are only a guide and may vary due to manufacturing variations.

LIGHT SOURCE

Voltage Input

240V

Total Wattage (max)

50

Wattage

25

Globe Type

E14

Globe / Light Source qty

2

Globe / Light Source included

No

Dimmable

Globe dependant

SPECIFICATIONS

Lead and Plug

No

IP rating

IP20

Electrical Protection

CLASS I - HIGH VOLTAGE, EARTH REQUIRED

Mounting

Surface

Height Adjustable?

No

COLOUR AND MATERIAL

Fixture Material

Iron, Glass

Fixture Finish

Satin

PRODUCT DIMENSIONS

Fixture Weight (Kg)

1.7

Fixture Projection (cm)

18

Fixture Width (cm)

37

Fixture Height (cm)

17

WARRANTY

Replacement Warranty
*3 Years

OTHER

Installation Required
Yes (by Licensed Electrician only)

CARE

Care Instructions
Do not use strong liquid cleaners. Wipe clean with a dry cloth. Aluminium, Brass and Stainless Steel will naturally oxidise and change overtime. Exterior products require regular four (4) monthly cleaning and maintenance to ensure they do not accumulate dirt or other environmental deposits. Wipe the product with a mild detergent and warm water to remove surface deposits. Rinse with fresh water and wipe dry with a soft cloth. An extra temporary protection barrier of water displacement oil can help to maintain the surface, such as WD40, sprayed onto a soft cloth and rubbed onto the surface.

VARIANTS

[RADAM WB2-BK] RADAM
TWIN WALL LIGHT (BLACK)



9329501084663

[RADAM WB2-VB] RADAM
TWIN WALL LIGHT (VINTAGE
BRASS)



9329501084656

Find RADAM TWIN WALL LIGHT on
www.telbix.com

