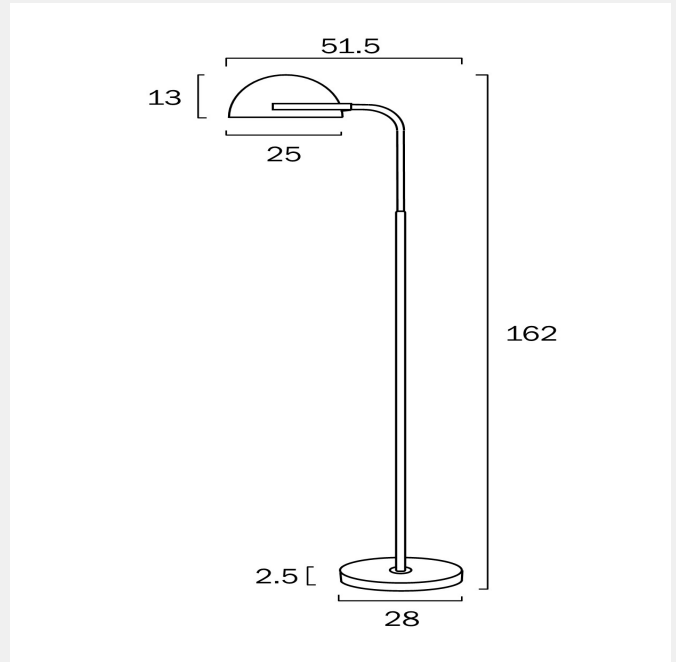


## POLLARD FLOOR LAMP



### LIGHT SOURCE

**Voltage Input**

240V

**Total Wattage (max)**

25

**Globe Type**

E27 - Fancy Round

**Globe / Light Source qty**

1

**Globe / Light Source included**

No

**Dimmable**

Globe Dependant

### SPECIFICATIONS

**Lead and Plug**

Yes

**Switch**

Foot Switch

**IP rating**

IP20

**Height Adjustable?**

No

**Electrical Protection**

CLASS II - DOUBLE INSULATED, EARTH NOT REQUIRED

### COLOUR AND MATERIAL

**Fixture Material**

Marble,Iron

### PRODUCT DIMENSIONS

**Fixture Weight (Kg)**

5.4

**Fixture Height (cm)**

162

**Fixture Length (cm)**

51.5

**Fixture Width (cm)**

28

**Cable Length (cm)**

200 (50+Foot Switch+150)

**telbix.**

## WARRANTY

---

Replacement Warranty

\*3 Years

## CARE

---

Care Instructions

Do not use strong liquid cleaners,Wipe clean with a dry cloth

## VARIANTS

---

[POLLARD FL-BKAG] POLLARD  
FLOOR LAMP



9329501060209

Find POLLARD FLOOR LAMP on  
[www.telbix.com](http://www.telbix.com)

