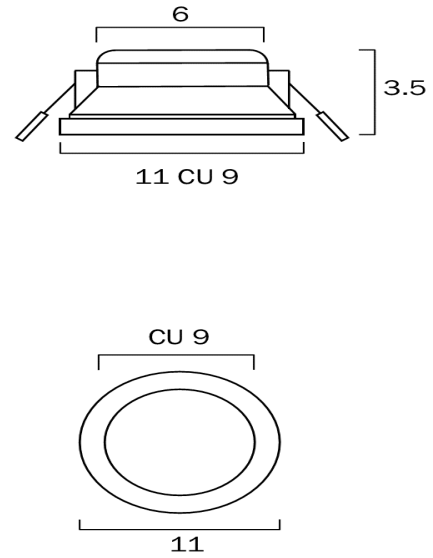


POD 110 G2 LED DOWNLIGHT NICKEL



LIGHT SOURCE

Voltage Input

240V

Total Wattage (max)

10

Globe Type

LED integrated SMD

Globe / Light Source qty

1

Globe / Light Source included

Yes

Color Kelvin

3000k or 5000k

Color Temperature

Warm White or Cool White

Dimmable

Yes - TRIAC

Lumens

850 to 920

CRI (Color Rendering Index)

>83

Surge Protection (Yes/No)

Yes

SPECIFICATIONS

Lead and Plug

Yes

IP rating

IP44

Electrical Protection

CLASS II - DOUBLE INSULATED, EARTH NOT REQUIRED

Insulation class

IC-4

Beam Angle (degree)

100

Current Output (mA)

230

Raked Ceiling Compatible

Yes

Mounting

Recess

COLOUR AND MATERIAL

Fixture Material

Polycarbonate,Aluminium

Fixture Finish

Satin

Diffuser Material

Polycarbonate

PRODUCT DIMENSIONS

Fixture Diameter (cm)

11

Fixture Height (cm)

3.5

Cut Out (cm)

9

WARRANTY

Replacement Warranty

*Clearance item 1 year warranty

OTHER

Installation Required

Yes (by Licensed Electrician only)

CARE

Care Instructions

Do not use strong liquid cleaners,Wipe clean with a dry cloth

VARIANTS

[POD 110-830D-NK] POD 110
G2 LED DOWNLIGHT NICKEL
(3000K)



9329501053416

Find POD 110 G2 LED DOWNLIGHT NICKEL on
www.telbix.com

