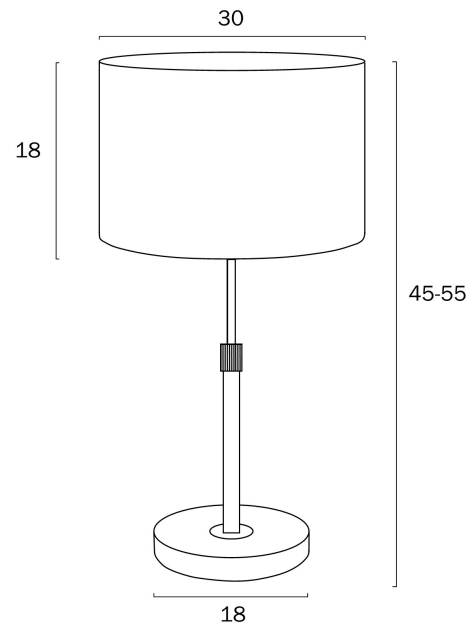


## PLACIN TABLE LAMP



### LIGHT SOURCE

**Voltage Input**

240V

**Total Wattage (max)**

25

**Globe Type**

E27

**Globe / Light Source qty**

1

**Globe / Light Source included**

No

**Dimmable**

Globe Dependant

### SPECIFICATIONS

**Lead and Plug**

Yes

**Switch**

Inline Switch

**IP rating**

IP20

**Height Adjustable?**

Yes

**Electrical Protection**

CLASS II – DOUBLE INSULATED, EARTH NOT REQUIRED

### COLOUR AND MATERIAL

**Fixture Material**

Fabric,Iron,Marble

### PRODUCT DIMENSIONS

**Fixture Weight (Kg)**

2.1

**Fixture Height (cm)**

55

**Fixture Diameter (cm)**

30

**Cable Length (cm)**

180 (30+Inline Switch+150)

### WARRANTY

**Replacement Warranty**

\*3 Years

**CARE**

---

**Care Instructions**

Do not use strong liquid cleaners,Wipe clean with a dry cloth

**VARIANTS**

---

[PLACIN TL-AGIV] PLACIN  
TABLE LAMP (ANTIQUÉ GOLD)



9329501064580

[PLACIN TL-BZIV] PLACIN  
TABLE LAMP (BRONZE)



9329501064597

Find PLACIN TABLE LAMP on  
[www.telbix.com](http://www.telbix.com)

