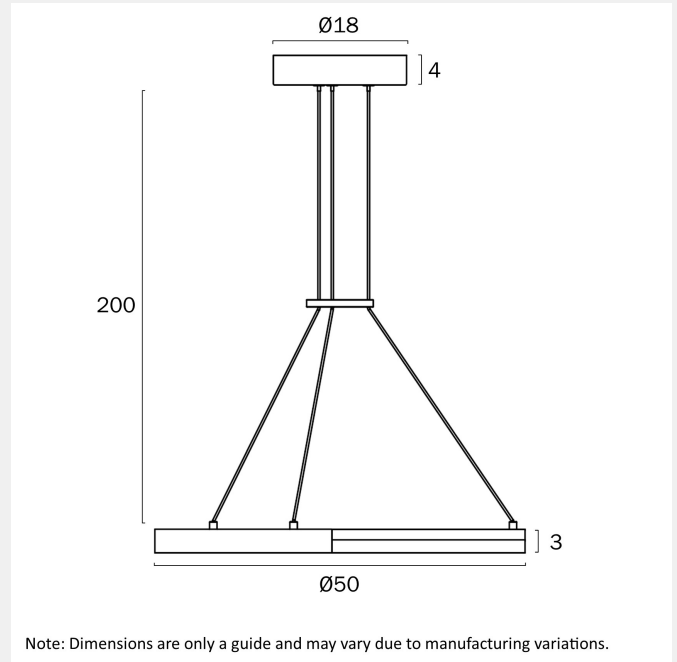


## OSTROM 50CM LED PENDANT LIGHT



### LIGHT SOURCE

**Voltage Input**

240V

**Total Wattage (max)**

30

**Globe Type**

LED integrated SMD

**Globe / Light Source included**

Yes

**Color Kelvin**

3000k

**Color Temperature**

Warm White

**Dimmable**

Yes - TRIAC

**Lumens**

1220

### SPECIFICATIONS

**Lead and Plug**

No

**IP rating**

IP20

**Suspension Type**

Cable

**Height Adjustable?**

Yes

**Mounting**

Surface

**Electrical Protection**

CLASS III - LOW VOLTAGE, <54v

### COLOUR AND MATERIAL

**Fixture Material**

Aluminium,PVC

**Fixture Finish**

Satin

### WARRANTY

**Replacement Warranty**

\*3 Years

**PRODUCT DIMENSIONS**

---

**Fixture Weight (Kg)**

1.36

**Fixture Diameter (cm)**

50

**Fixture Height (cm)**

3

**Fixture Length (cm)**

50

**Fixture Width (cm)**

50

**Suspension Length (cm)**

200

**OTHER**

---

**Installation Required**

Yes (by Licensed Electrician only)

**CARE**

---

**Care Instructions**

Aluminium, Brass and Stainless Steel will naturally oxidised and change overtime. Exterior products require regular four (4) monthly cleaning and maintenance to ensure they do not accumulate dirt or other environmental deposits. Wipe the product with a mild detergent and warm water to remove surface deposits. Rinse with fresh water and wipe dry with a soft cloth. An extra temporary protection barrier of water displacement oil can help to maintain the surface, such as WD40, sprayed onto a soft cloth and rubbed onto the surface. Do not use strong liquid cleaners, Wipe clean with a dry cloth

**VARIANTS**

---

[OSTROM PE50-CG] OSTROM  
50CM LED PENDANT LIGHT



9329501071342

Find OSTROM 50CM LED PENDANT LIGHT on  
[www.telbix.com](http://www.telbix.com)

