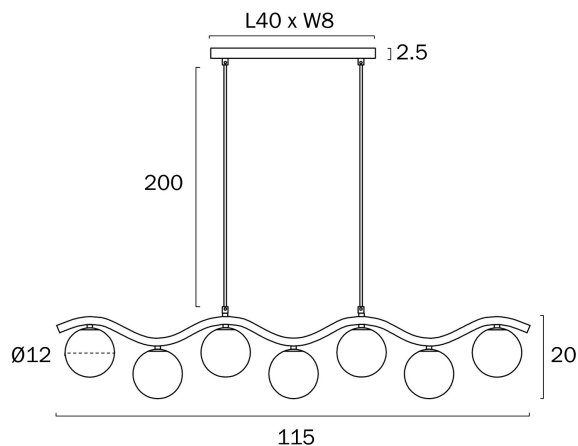


ORTON 7 PENDANT LIGHT



Note: Dimensions are only a guide and may vary due to manufacturing variations.

LIGHT SOURCE

Voltage Input

240V

Total Wattage (max)

42

Wattage

6

Globe Type

G9

Globe / Light Source qty

7

Globe / Light Source included

No

Dimmable

Globe Dependant

SPECIFICATIONS

Lead and Plug

No

IP rating

IP20

Suspension Type

Rod (1x300)+(2x600)

Height Adjustable?

Yes

Raked Ceiling Compatible

No

Mounting

Surface

Electrical Protection

CLASS I - HIGH VOLTAGE, EARTH REQUIRED

COLOUR AND MATERIAL

Fixture Material

Glass,Iron

Fixture Finish

Matte

WARRANTY

Replacement Warranty

*3 Years

PRODUCT DIMENSIONS

Fixture Weight (Kg)

7.6

Fixture Height (cm)

20

Fixture Length (cm)

12

Fixture Width (cm)

115

Suspension Length (cm)

200

OTHER

Installation Required

Yes (by Licensed Electrician only)

CARE

Care Instructions

Aluminium, Brass and Stainless Steel will naturally oxidised and change overtime. Exterior products require regular four (4) monthly cleaning and maintenance to ensure they do not accumulate dirt or other environmental deposits. Wipe the product with a mild detergent and warm water to remove surface deposits. Rinse with fresh water and wipe dry with a soft cloth. An extra temporary protection barrier of water displacement oil can help to maintain the surface, such as WD40, sprayed onto a soft cloth and rubbed onto the surface. Do not use strong liquid cleaners, Wipe clean with a dry cloth

VARIANTS

[ORTON PE7-AGAMT] ORTON 7 PENDANT LIGHT (ANTIQUÉ GOLD, AMBER TEAR)

[ORTON PE7-AGCLP] ORTON 7 PENDANT LIGHT (ANTIQUÉ GOLD, CLEAR PRISM)

[ORTON PE7-AGFRT] ORTON 7 PENDANT LIGHT (ANTIQUÉ GOLD, FROST TEAR)

[ORTON PE7-AGOM] ORTON 7 PENDANT LIGHT (ANTIQUÉ GOLD, OPAL MATT)

[ORTON PE7-AGSM] ORTON 7 PENDANT LIGHT (ANTIQUÉ GOLD, SMOKE)

[ORTON PE7-AGSMT] ORTON 7 PENDANT LIGHT (ANTIQUÉ GOLD, SMOKE TEAR)

[ORTON PE7-BKAMT] ORTON 7 PENDANT LIGHT (BLACK, AMBER TEAR)

[ORTON PE7-BKCLP] ORTON 7 PENDANT LIGHT (BLACK, CLEAR PRISM)

[ORTON PE7-BKFRT] ORTON 7 PENDANT LIGHT (BLACK, FROST TEAR)

[ORTON PE7-BKOM] ORTON 7
PENDANT LIGHT (BLACK, OPAL
MATT)

[ORTON PE7-BKSM] ORTON 7
PENDANT LIGHT (BLACK,
SMOKE)

[ORTON PE7-BKSMT] ORTON 7
PENDANT LIGHT (BLACK,
SMOKE TEAR)

Find ORTON 7 PENDANT LIGHT on
www.telbix.com

