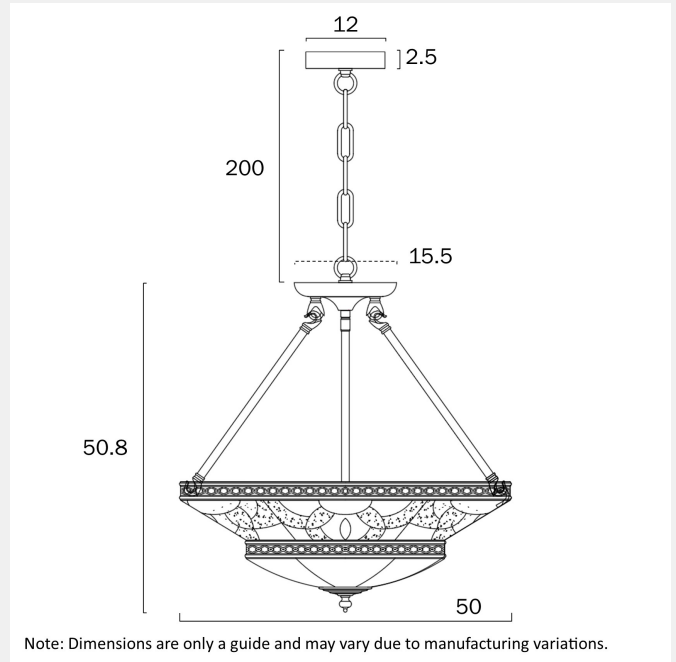


ORISTA PENDANT LIGHT CTC CEILING LIGHT



LIGHT SOURCE

- Voltage Input**
240V
- Total Wattage (max)**
100
- Wattage**
25
- Globe Type**
E27
- Globe / Light Source qty**
4
- Globe / Light Source included**
No
- Dimmable**
Globe Dependant

SPECIFICATIONS

- Lead and Plug**
No
- IP rating**
IP20

Suspension Type

Chain

Height Adjustable?

Yes

Raked Ceiling Compatible

No

Mounting

Surface

Electrical Protection

CLASS I - HIGH VOLTAGE, EARTH REQUIRED

COLOUR AND MATERIAL

Fixture Material

Solid Brass

Fixture Finish

Polished

Diffuser Material

Glass

WARRANTY

Replacement Warranty

*3 Years

PRODUCT DIMENSIONS

Fixture Weight (Kg)

3.6

Fixture Height (cm)

20.8

Fixture Width (cm)

50

Suspension Length (cm)

200

OTHER

Installation Required

Yes (by Licensed Electrician only)

CARE

Care Instructions

Aluminium, Brass and Stainless Steel will naturally oxidised and change overtime. Exterior products require regular four (4) monthly cleaning and maintenance to ensure they do not accumulate dirt or other environmental deposits. Wipe the product with a mild detergent and warm water to remove surface deposits. Rinse with fresh water and wipe dry with a soft cloth. An extra temporary protection barrier of water displacement oil can help to maintain the surface, such as WD40, sprayed onto a soft cloth and rubbed onto the surface.,Do not use strong liquid cleaners,Wipe clean with a dry cloth

VARIANTS

[ORISTA PE-BRS] ORISTA
PENDANT LIGHT CTC CEILING
LIGHT



9329501066119

Find ORISTA PENDANT LIGHT CTC CEILING LIGHT on
www.telbix.com

