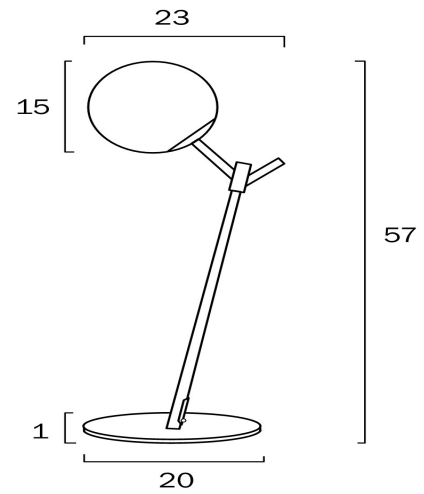


## OHH TABLE LAMP



### LIGHT SOURCE

**Voltage Input**

240V

**Total Wattage (max)**

25

**Globe Type**

E27 - Fancy Round

**Globe / Light Source qty**

1

**Globe / Light Source included**

No

**Dimmable**

Globe Dependant

### SPECIFICATIONS

**Lead and Plug**

Yes

**Switch**

Inline Switch

**IP rating**

IP20

**Electrical Protection**

CLASS II - DOUBLE INSULATED, EARTH NOT REQUIRED

### COLOUR AND MATERIAL

**Fixture Material**

Glass,Iron

### PRODUCT DIMENSIONS

**Fixture Height (cm)**

57

**Fixture Length (cm)**

20

**Fixture Width (cm)**

15

**Cable Length (cm)**

180 (30+Inline Switch+150)

### WARRANTY

**Replacement Warranty**

\*3 Years

**CARE**

---

**Care Instructions**

Do not use strong liquid cleaners,Wipe clean with a dry cloth

**VARIANTS**

---

[OHH TL-AGOM] OHH TABLE  
LAMP (ANTIQUE GOLD| OPAL  
MATT)



9329501061343

[OHH TL-BKOM] OHH TABLE  
LAMP (BLACK| OPAL MATT)



9329501061336

Find OHH TABLE LAMP on  
[www.telbix.com](http://www.telbix.com)

