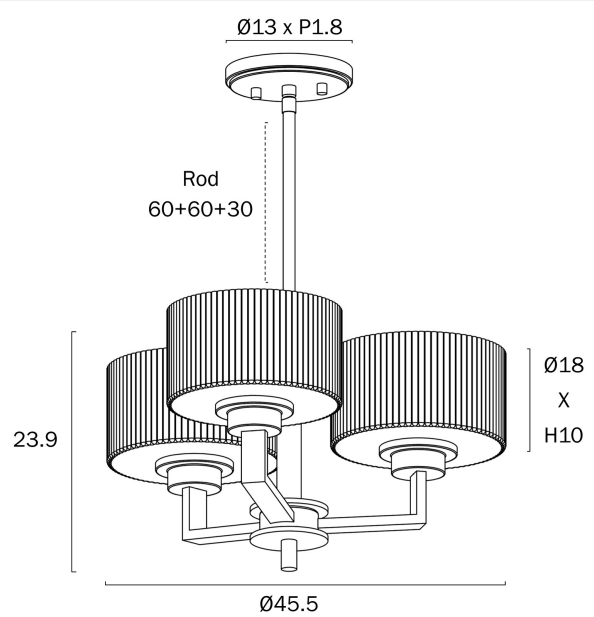


## MORENO II 3 PENDANT LIGHT



Note: Dimensions are only a guide and may vary due to manufacturing variations.

### LIGHT SOURCE

**Voltage Input**

240V

**Total Wattage (max)**

75

**Wattage**

25

**Globe Type**

E14

**Globe / Light Source qty**

3

**Globe / Light Source included**

No

**Dimmable**

Globe Dependant

### SPECIFICATIONS

**Lead and Plug**

No

**IP rating**

IP20

**Suspension Type**

Rod (1x300)+(2x600)

**Height Adjustable?**

Yes

**Raked Ceiling Compatible**

No

**Mounting**

Surface

**Electrical Protection**

CLASS I - HIGH VOLTAGE, EARTH REQUIRED

### COLOUR AND MATERIAL

**Fixture Material**

Iron,Glass

**Fixture Finish**

Gloss, Matte or Satin

**Glass Color**

Clear

### WARRANTY

**Replacement Warranty**

\*3 Years

## PRODUCT DIMENSIONS

**Fixture Weight (Kg)**

6.6

**Fixture Diameter (cm)**

45.5

**Fixture Height (cm)**

23.9

**Suspension Length (cm)**

150

## OTHER

**Installation Required**

Yes (by Licensed Electrician only)

## CARE

**Care Instructions**

Aluminium, Brass and Stainless Steel will naturally oxidised and change overtime. Exterior products require regular four (4) monthly cleaning and maintenance to ensure they do not accumulate dirt or other environmental deposits. Wipe the product with a mild detergent and warm water to remove surface deposits. Rinse with fresh water and wipe dry with a soft cloth. An extra temporary protection barrier of water displacement oil can help to maintain the surface, such as WD40, sprayed onto a soft cloth and rubbed onto the surface.,Do not use strong liquid cleaners,Wipe clean with a dry cloth

## VARIANTS

[MORENO2 PE3-AG] MORENO II 3 PENDANT LIGHT (ANTIQUE GOLD)



9329501079416

[MORENO2 PE3-AS] MORENO II 3 PENDANT LIGHT (ANTIQUE SILVER)



9329501079430

[MORENO2 PE3-BK] MORENO II 3 PENDANT LIGHT (BLACK)



9329501079447

Find MORENO II 3 PENDANT LIGHT on [www.telbix.com](http://www.telbix.com)

