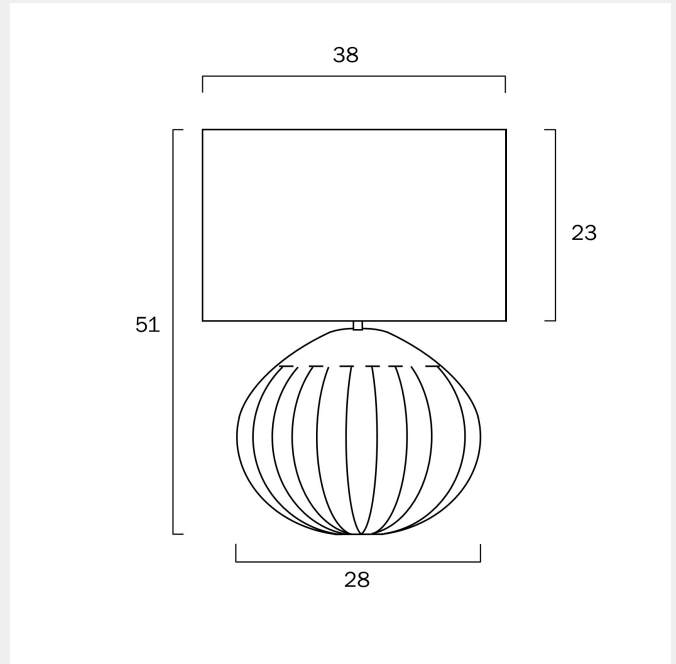


## MOHAN TABLE LAMP



### LIGHT SOURCE

**Voltage Input**

240V

**Total Wattage (max)**

25

**Globe Type**

E27

**Globe / Light Source qty**

1

**Globe / Light Source included**

No

**Dimmable**

Globe Dependant

### SPECIFICATIONS

**Lead and Plug**

Yes

**Switch**

Inline Switch

**IP rating**

IP20

**Electrical Protection**

CLASS II - DOUBLE INSULATED, EARTH NOT REQUIRED

### COLOUR AND MATERIAL

**Fixture Material**

Rattan

### PRODUCT DIMENSIONS

**Fixture Height (cm)**

49.5

**Fixture Diameter (cm)**

38

**Cable Length (cm)**

180 (30+Inline Switch+150)

### WARRANTY

**Replacement Warranty**

\*3 Years

### CARE

**Care Instructions**

Do not use strong liquid cleaners,Wipe clean with a dry cloth

**VARIANTS**

[MOHAN TL38-GY] MOHAN  
TABLE LAMP (GREY)



9329501053638

[MOHAN TL38-SD] MOHAN  
TABLE LAMP (SAND)



9329501053645

Find MOHAN TABLE LAMP on  
[www.telbix.com](http://www.telbix.com)

