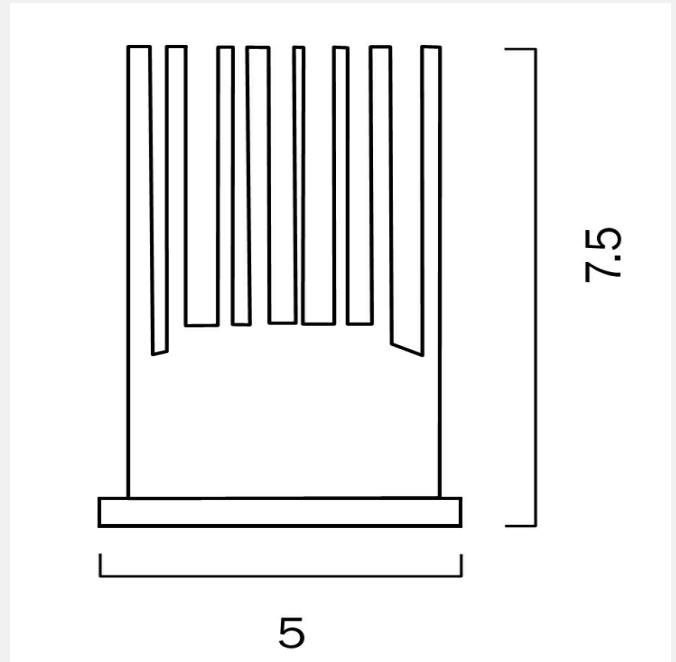


MODULE 16 G2



LIGHT SOURCE

Voltage Input

240V

Total Wattage (max)

10

Globe Type

LED integrated COB

Globe / Light Source qty

1

Globe / Light Source included

Yes

Color Kelvin

2700k or 3000k or 4000k or 5000k

Color Temperature

Warm White; Natural White; Cool White

Dimmable

Yes - TRIAC

Lumens

880 to 900

CRI (Color Rendering Index)

>84

Surge Protection (Yes/No)

Yes

SPECIFICATIONS

Lead and Plug

Yes

IP rating

IP44

Insulation class

IC-4

Beam Angle (degree)

38

Current Output (mA)

250

Raked Ceiling Compatible

Yes

Mounting

Recess

COLOUR AND MATERIAL

Fixture Material

Aluminium

Diffuser Material

Acrylic

PRODUCT DIMENSIONS

Fixture Diameter (cm)

5

Fixture Height (cm)

7.5

WARRANTY

Replacement Warranty

*5 Years

OTHER

Installation Required

Yes (by Licensed Electrician only)

CARE

Care Instructions

Do not use strong liquid cleaners,Wipe clean with a dry cloth

VARIANTS

[MDL-16D-840G2] MODULE 16
G2 (4000K)



9329501049587

[MDL-16D-930G2] MODULE 16
G2 (3000K)



9329501044704

Find MODULE 16 G2 on
www.telbix.com

