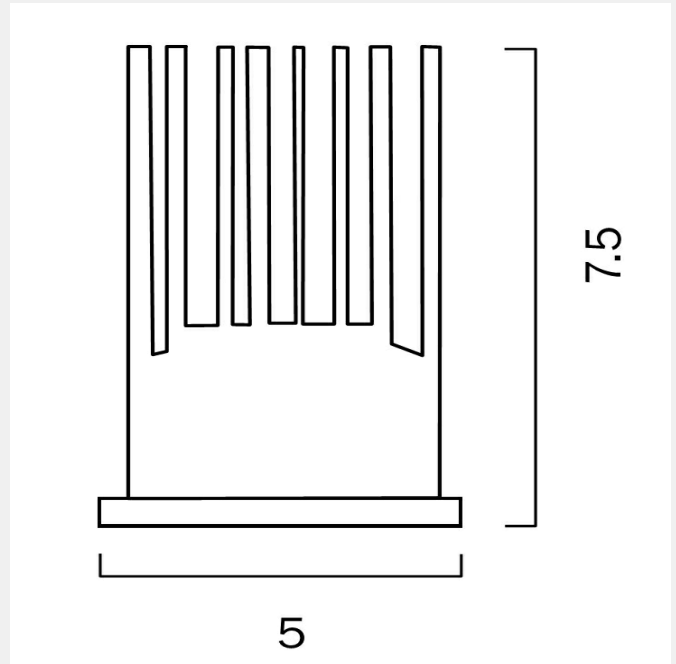


MODULE 16 12W



LIGHT SOURCE

Voltage Input

240V

Total Wattage (max)

12

Globe Type

LED integrated COB

Globe / Light Source qty

1

Globe / Light Source included

Yes

Color Kelvin

5000k

Color Temperature

Cool White

Dimmable

Yes - TRIAC

Lumens

880

CRI (Color Rendering Index)

>84

Surge Protection (Yes/No)

Yes

SPECIFICATIONS

Lead and Plug

Yes

IP rating

IP44

Insulation class

IC-4

Beam Angle (degree)

38

Current Output (mA)

250

Raked Ceiling Compatible

Yes

Mounting

Recess

COLOUR AND MATERIAL

Fixture Material

Aluminium

Fixture Finish
Satin

PRODUCT DIMENSIONS

Fixture Diameter (cm)
5

Fixture Height (cm)
7.5

WARRANTY

Replacement Warranty
*5 Years

OTHER

Installation Required
Yes (by Licensed Electrician only)

CARE

Care Instructions
Do not use strong liquid cleaners,Wipe clean with a dry cloth

VARIANTS

[MDL-16D-850] MODULE 16
12w



9329501038260

Find MODULE 16 12w on
www.telbix.com

