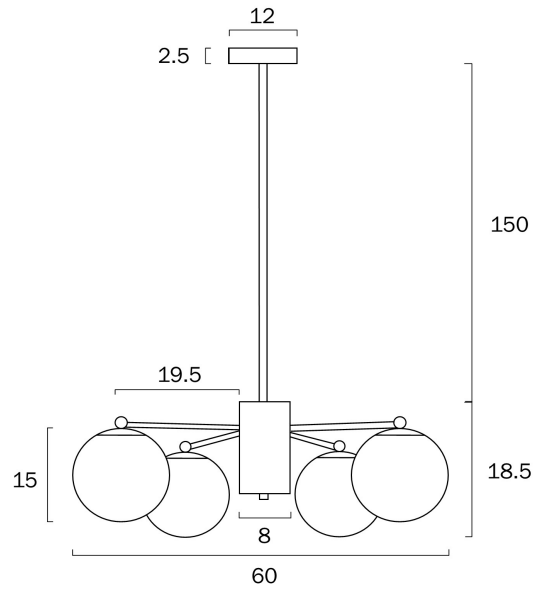


## MARSTEN 5 PENDANT LIGHT



### LIGHT SOURCE

**Voltage Input**

240V

**Total Wattage (max)**

125

**Wattage**

25

**Globe Type**

E27 - Fancy Round

**Globe / Light Source qty**

5

**Globe / Light Source included**

No

**Dimmable**

Globe Dependant

### SPECIFICATIONS

**Lead and Plug**

No

**IP rating**

IP20

**Suspension Type**

Rod (1x300)+(2x600)

**Height Adjustable?**

Yes

**Raked Ceiling Compatible**

No

**Mounting**

Surface

**Electrical Protection**

CLASS I - HIGH VOLTAGE, EARTH REQUIRED

### COLOUR AND MATERIAL

**Fixture Material**

Iron,Glass

**Glass Color**

Opal Matt

### WARRANTY

**Replacement Warranty**

\*3 Years

## PRODUCT DIMENSIONS

---

**Fixture Diameter (cm)**

60

**Fixture Height (cm)**

18.5

**Suspension Length (cm)**

150

## OTHER

---

**Installation Required**

Yes (by Licensed Electrician only)

## CARE

---

**Care Instructions**

Aluminium, Brass and Stainless Steel will naturally oxidised and change overtime. Exterior products require regular four (4) monthly cleaning and maintenance to ensure they do not accumulate dirt or other environmental deposits. Wipe the product with a mild detergent and warm water to remove surface deposits. Rinse with fresh water and wipe dry with a soft cloth. An extra temporary protection barrier of water displacement oil can help to maintain the surface, such as WD40, sprayed onto a soft cloth and rubbed onto the surface.,Do not use strong liquid cleaners,Wipe clean with a dry cloth

## VARIANTS

---

[MARSTEN PE5-AGOM]  
MARSTEN 5 PENDANT LIGHT  
(ANTIQUE GOLD| OPAL MATT)



9329501060094

[MARSTEN PE5-BKOM]  
MARSTEN 5 PENDANT LIGHT  
(BLACK| OPAL MATT)



9329501059999

Find MARSTEN 5 PENDANT LIGHT on  
[www.telbix.com](http://www.telbix.com)

