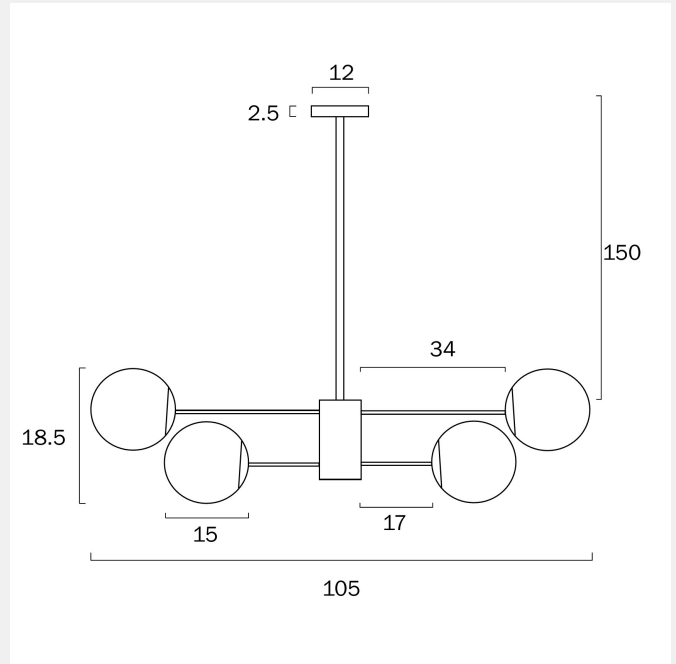


MARSTEN 12 PENDANT LIGHT



LIGHT SOURCE

Voltage Input

240V

Total Wattage (max)

300

Wattage

25

Globe Type

E27 - Fancy Round

Globe / Light Source qty

12

Globe / Light Source included

No

Dimmable

Globe Dependant

SPECIFICATIONS

Lead and Plug

No

IP rating

IP20

Suspension Type

Rod (1x300)+(2x600)

Height Adjustable?

Yes

Raked Ceiling Compatible

No

Mounting

Surface

Electrical Protection

CLASS I - HIGH VOLTAGE, EARTH REQUIRED

COLOUR AND MATERIAL

Fixture Material

Iron,Glass

Glass Color

Opal Matt

WARRANTY

Replacement Warranty

*3 Years

PRODUCT DIMENSIONS

Fixture Weight (Kg)

7.5

Fixture Diameter (cm)

105

Fixture Height (cm)

18.5

Suspension Length (cm)

150

OTHER

Installation Required

Yes (by Licensed Electrician only)

CARE

Care Instructions

Aluminium, Brass and Stainless Steel will naturally oxidised and change overtime. Exterior products require regular four (4) monthly cleaning and maintenance to ensure they do not accumulate dirt or other environmental deposits. Wipe the product with a mild detergent and warm water to remove surface deposits. Rinse with fresh water and wipe dry with a soft cloth. An extra temporary protection barrier of water displacement oil can help to maintain the surface, such as WD40, sprayed onto a soft cloth and rubbed onto the surface. Do not use strong liquid cleaners, Wipe clean with a dry cloth

VARIANTS

[MARSTEN PE12-AGO]
MARSTEN 12 PENDANT LIGHT
(ANTIQUÉ GOLD| OPAL MATT)



9329501060117

[MARSTEN PE12-BKO]
MARSTEN 12 PENDANT LIGHT
(BLACK| OPAL MATT)



9329501060018

Find MARSTEN 12 PENDANT LIGHT on
www.telbix.com

