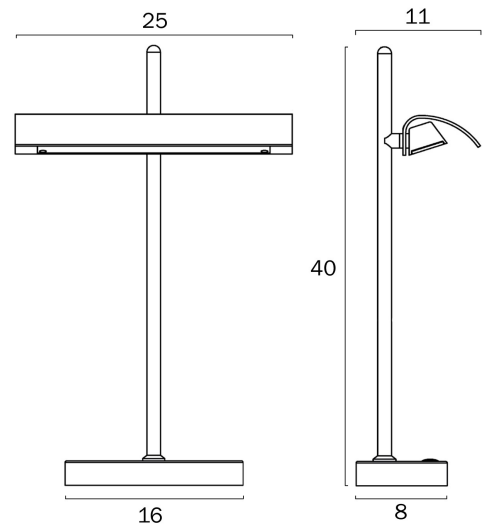


## LYMAN LED TABLE LAMP



Note: Dimensions are only a guide and may vary due to manufacturing variations.

### LIGHT SOURCE

**Voltage Input**

240V

**Total Wattage (max)**

8

**Globe Type**

LED integrated SMD

**Globe / Light Source qty**

1

**Globe / Light Source included**

Yes

**Dimmable**

Yes - 3 Step by switch (100% - 50% -20%)

**Lumens**

450

### SPECIFICATIONS

**Lead and Plug**

Yes

**Switch**

Inline Switch

**IP rating**

IP20

**Electrical Protection**

CLASS III - LOW VOLTAGE, <54v

### COLOUR AND MATERIAL

**Fixture Material**

Iron

**Fixture Finish**

Gloss

### PRODUCT DIMENSIONS

**Fixture Weight (Kg)**

0.8

**Cable Length (cm)**

180

### WARRANTY

**Replacement Warranty**

\*3 Years

**CARE**

---

**Care Instructions**

Do not use strong liquid cleaners,Wipe clean with a dry cloth

**VARIANTS**

---

[LYMAN TL-AGGN] LYMAN  
LED TABLE LAMP (ANTIQUE  
GOLD| GREEN)



9329501067079

[LYMAN TL-GMSM] LYMAN  
LED TABLE LAMP (GUN METAL|  
SMOKE)



9329501067062

Find LYMAN LED TABLE LAMP on  
[www.telbix.com](http://www.telbix.com)

