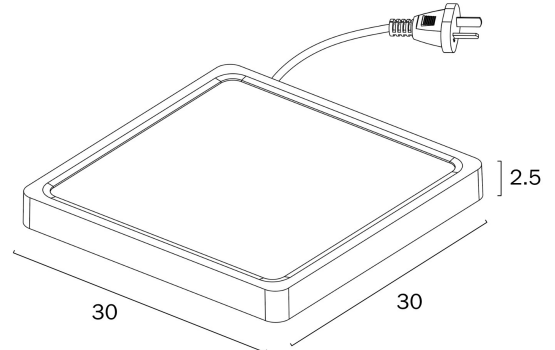


## LUNOS 30CM 24W 3CCT SQUARE LED OYSTER DIMMABLE CEILING LIGHT



Note: Dimensions are only a guide and may vary due to manufacturing variations.

### LIGHT SOURCE

**Voltage Input**

240V

**Total Wattage (max)**

24

**Wattage**

12

**Globe Type**

LED integrated SMD

**Globe / Light Source included**

Yes

**Color Kelvin**

3 CCT (3000k - 4000k - 5000k)

**Color Temperature**

Warm White; Natural White; Cool White

**Dimmable**

Yes - TRIAC

**CRI (Color Rendering Index)**

>80

**Lumens**

2150

**Surge Protection (Yes/No)**

Yes

### SPECIFICATIONS

**Lead and Plug**

Yes

**IP rating**

IP44

**Electrical Protection**

CLASS II - DOUBLE INSULATED, EARTH NOT REQUIRED

**Beam Angle (degree)**

120

**Mounting**

Surface

**Switch**

Slide Switch

### COLOUR AND MATERIAL

**Fixture Material**

Polycarbonate, Metal

**Fixture Finish**

Satin

**Diffuser Material**

Polycarbonate

**PRODUCT DIMENSIONS**

---

**Fixture Weight (Kg)**

0.88

**Fixture Projection (cm)**

2.5

**Fixture Length (cm)**

30

**Fixture Width (cm)**

30

**Cable Length (cm)**

60

**WARRANTY**

---

**Replacement Warranty**

\*3 Years

**OTHER**

---

**Installation Required**

Yes (by Licensed Electrician only)

**CARE**

---

**Care Instructions**

Do not use strong liquid cleaners,Wipe clean with a dry cloth

**VARIANTS**

---

[LUNOS OY30.3C-BK] LUNOS  
30CM 24W 3CCT SQUARE LED  
OYSTER DIMMABLE CEILING  
LIGHT (BLACK)



9329501077535

[LUNOS OY30.3C-WH] LUNOS  
30CM 24W 3CCT SQUARE LED  
OYSTER DIMMABLE CEILING  
LIGHT (WHITE)



9329501075135

Find LUNOS 30CM 24W 3CCT SQUARE LED OYSTER DIMMABLE CEILING LIGHT on  
[www.telbix.com](http://www.telbix.com)

