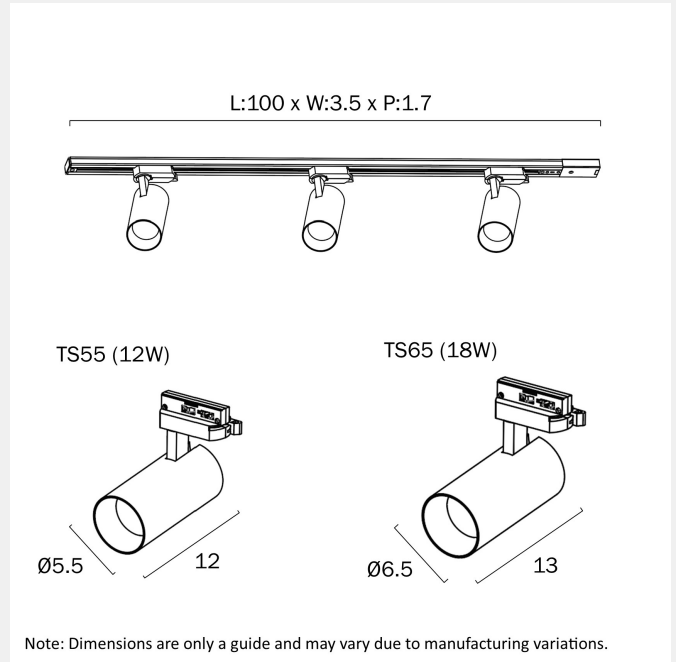


LOGIK TRACK LIGHT LED 18W CEILING LIGHT



LIGHT SOURCE

Voltage Input

240V

Total Wattage (max)

54

Wattage

18

Globe Type

LED integrated COB

Globe / Light Source qty

3

Globe / Light Source included

Yes

Color Kelvin

3 CCT (2700k - 3000k - 4000k)

Color Temperature

Warm White; Warm White; Natural White

Dimmable

Yes - TRIAC

Lumens

1600

CRI (Color Rendering Index)

>92

Surge Protection (Yes/No)

Yes

SPECIFICATIONS

Lead and Plug

No

IP rating

IP20

Electrical Protection

CLASS I - HIGH VOLTAGE, EARTH REQUIRED

Beam Angle (degree)

24

Mounting

Surface

COLOUR AND MATERIAL

Fixture Material

Aluminium, Polycarbonate

Fixture Finish

Matte

PRODUCT DIMENSIONS

Fixture Weight (Kg)

1.45

Fixture Height (cm)

13

Fixture Length (cm)

1000

Fixture Width (cm)

6.5

WARRANTY

Replacement Warranty

*3 Years

OTHER

Installation Required

Yes (by Licensed Electrician only)

CARE

Care Instructions

Do not use strong liquid cleaners, Wipe clean with a dry cloth. Aluminium, Brass and Stainless Steel will naturally oxidised and change overtime. Exterior products require regular four (4) monthly cleaning and maintenance to ensure they do not accumulate dirt or other environmental deposits. Wipe the product with a mild detergent and warm water to remove surface deposits. Rinse with fresh water and wipe dry with a soft cloth. An extra temporary protection barrier of water displacement oil can help to maintain the surface, such as WD40, sprayed onto a soft cloth and rubbed onto the surface.,

VARIANTS

[LOGIK TS65.3-BK] LOGIK
TRACK LIGHT LED 18W
CEILING LIGHT (BLACK)



9329501075265

[LOGIK TS65.3-WH] LOGIK
TRACK LIGHT LED 18W
CEILING LIGHT (WHITE)



9329501075272

Find LOGIK TRACK LIGHT LED 18W CEILING LIGHT on
www.telbix.com

