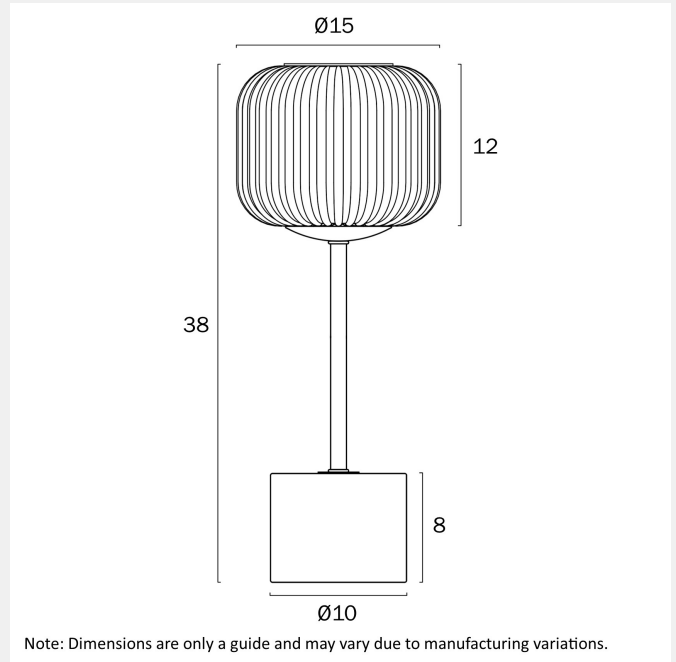


## LIAM TOUCH TABLE LAMP



### LIGHT SOURCE

**Voltage Input**

240V

**Total Wattage (max)**

5

**Globe Type**

E14

**Globe / Light Source qty**

1

**Globe / Light Source included**

Yes

**Color Kelvin**

3000k

**Color Temperature**

Warm White

**Dimmable**

No

**CRI (Color Rendering Index)**

>80

### SPECIFICATIONS

**Lead and Plug**

Yes

**Switch**

Touch

**IP rating**

IP20

**Electrical Protection**

CLASS II - DOUBLE INSULATED, EARTH NOT REQUIRED

### COLOUR AND MATERIAL

**Fixture Material**

Iron,Glass

**Fixture Finish**

Antique Gold Gloss, Black Matte

### PRODUCT DIMENSIONS

**Fixture Weight (Kg)**

1.09

**Fixture Height (cm)**

38

**telbix.**

**Fixture Diameter (cm)**

15

**Cable Length (cm)**

180

## WARRANTY

---

**Replacement Warranty**

\*3 Years

## CARE

---

**Care Instructions**

Do not use strong liquid cleaners,Wipe clean with a dry cloth

## VARIANTS

---

[LIAM TL-AGOM] LIAM TOUCH  
TABLE LAMP (ANTIQUE GOLD)



9329501074275

[LIAM TL-BKOM] LIAM TOUCH  
TABLE LAMP (BLACK)



9329501074268

Find LIAM TOUCH TABLE LAMP on  
[www.telbix.com](http://www.telbix.com)

