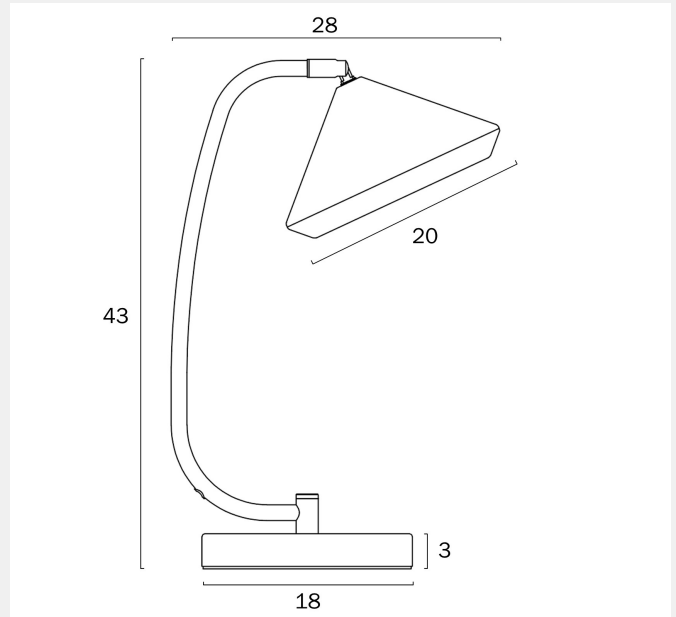


LARSON TABLE LAMP



Note: Dimensions are only a guide and may vary due to manufacturing variations.

LIGHT SOURCE

Voltage Input

240V

Total Wattage (max)

6

Globe Type

G9

Globe / Light Source qty

1

Globe / Light Source included

No

Dimmable

Globe Dependant

SPECIFICATIONS

Lead and Plug

Yes

Switch

Inline Switch

IP rating

IP20

Electrical Protection

CLASS II - DOUBLE INSULATED, EARTH NOT REQUIRED

COLOUR AND MATERIAL

Fixture Material

Iron

Fixture Finish

Matte

PRODUCT DIMENSIONS

Fixture Weight (Kg)

1.83

Fixture Height (cm)

43

Fixture Length (cm)

28

Fixture Width (cm)

20

Cable Length (cm)

180 (30+Inline Switch+150)

WARRANTY

Replacement Warranty
*3 Years

CARE

Care Instructions
Do not use strong liquid cleaners,Wipe clean with a dry cloth

VARIANTS

[LARSON TL-BK] LARSON
TABLE LAMP (BLACK)



9329501067659

[LARSON TL-BRS] LARSON
TABLE LAMP (BRASS)



9329501067673

[LARSON TL-WH] LARSON
TABLE LAMP (WHITE)



9329501067666

Find LARSON TABLE LAMP on
www.telbix.com

