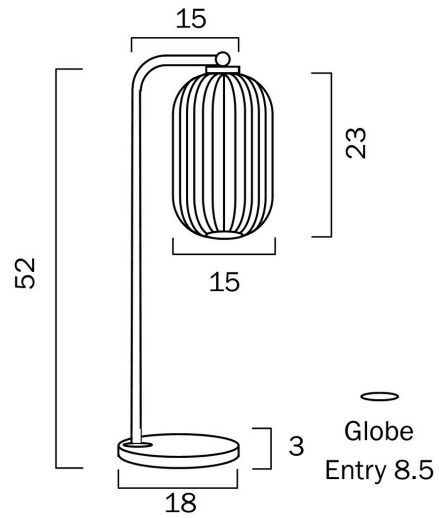


## LARK TABLE LAMP



Cable line switch 200cm

### LIGHT SOURCE

**Voltage Input**

240V

**Total Wattage (max)**

25

**Globe Type**

E27

**Globe / Light Source qty**

1

**Globe / Light Source included**

No

**Dimmable**

Globe Dependant

### SPECIFICATIONS

**Lead and Plug**

Yes

**Switch**

Inline Switch

**IP rating**

IP20

**Electrical Protection**

CLASS II - DOUBLE INSULATED, EARTH NOT REQUIRED

### COLOUR AND MATERIAL

**Fixture Material**

Marble,Glass,Metal

### PRODUCT DIMENSIONS

**Fixture Weight (Kg)**

2.8

**Fixture Height (cm)**

52

**Fixture Diameter (cm)**

14

**Cable Length (cm)**

180 (30+Inline Switch+150)

### WARRANTY

**Replacement Warranty**

\*3 Years

**telbix.**

## CARE

---

### Care Instructions

Do not use strong liquid cleaners,Wipe clean with a dry cloth

## VARIANTS

---

[LARK TL-AGOP] LARK TABLE  
LAMP



9329501054475

Find LARK TABLE LAMP on  
[www.telbix.com](http://www.telbix.com)

