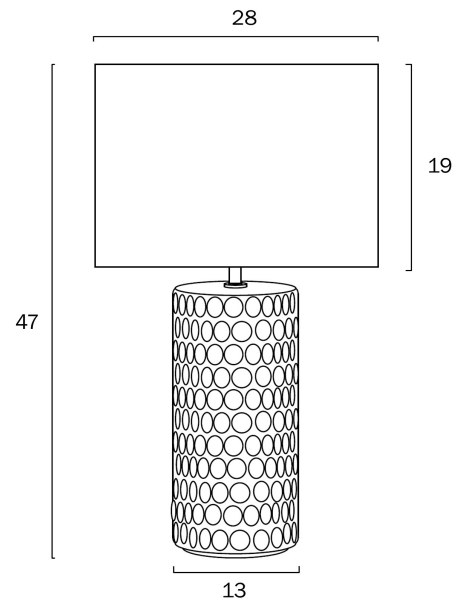


## LAMAR CERAMIC TABLE LAMP



Note: Dimensions are only a guide and may vary due to manufacturing variations.

### LIGHT SOURCE

**Voltage Input**

240V

**Total Wattage (max)**

25

**Globe Type**

E27

**Globe / Light Source qty**

1

**Globe / Light Source included**

No

**Dimmable**

Globe Dependant

### SPECIFICATIONS

**Lead and Plug**

Yes

**Switch**

Inline Switch

**IP rating**

IP20

**Electrical Protection**

CLASS II - DOUBLE INSULATED, EARTH NOT REQUIRED

### COLOUR AND MATERIAL

**Fixture Material**

Fabric,Ceramic

### PRODUCT DIMENSIONS

**Fixture Height (cm)**

47

**Fixture Diameter (cm)**

28

**Cable Length (cm)**

180 (30+Inline Switch+150)

### WARRANTY

**Replacement Warranty**

\*3 Years

### CARE

**Care Instructions**

Do not use strong liquid cleaners,Wipe clean with a dry cloth

VARIANTS

[LAMAR TL-CM] LAMAR  
CERAMIC TABLE LAMP



9329501058794

Find LAMAR CERAMIC TABLE LAMP on  
[www.telbix.com](http://www.telbix.com)

