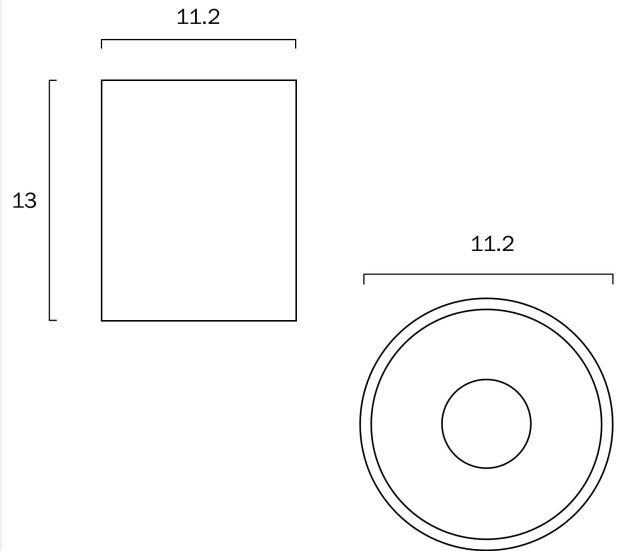


## KEON 20W LED SURFACE MOUNTED DOWNLIGHT DIMMABLE WHITE



Note: Dimensions are only a guide and may vary due to manufacturing variations.

### LIGHT SOURCE

**Voltage Input**

240V

**Total Wattage (max)**

20

**Globe Type**

LED integrated COB

**Globe / Light Source qty**

1

**Globe / Light Source included**

Yes

**Color Kelvin**

3000k or 5000k

**Color Temperature**

Warm White or Cool White

**Dimmable**

Yes

**Lumens**

1700-1750

**CRI (Color Rendering Index)**

>84

**Surge Protection (Yes/No)**

Yes

### SPECIFICATIONS

**Lead and Plug**

No

**IP rating**

IP20

**Electrical Protection**

CLASS I - HIGH VOLTAGE, EARTH REQUIRED

**Beam Angle (degree)**

40

**Mounting**

Surface

### COLOUR AND MATERIAL

**Fixture Material**

Aluminium

**Fixture Finish**

Powder Coated

**telbix.**

## PRODUCT DIMENSIONS

---

**Fixture Weight (Kg)**

0.82

**Fixture Diameter (cm)**

11.5

**Fixture Height (cm)**

13

## WARRANTY

---

**Replacement Warranty**

\*3 Years

## OTHER

---

**Installation Required**

Yes (by Licensed Electrician only)

## CARE

---

**Care Instructions**

Do not use strong liquid cleaners,Wipe clean with a dry cloth

## VARIANTS

---

[KEON 20-WH85] KEON 20W  
LED SURFACE MOUNTED  
DOWNLIGHT DIMMABLE  
WHITE (5000K)



9329501047590

Find KEON 20W LED SURFACE MOUNTED DOWNLIGHT DIMMABLE WHITE on  
[www.telbix.com](http://www.telbix.com)

