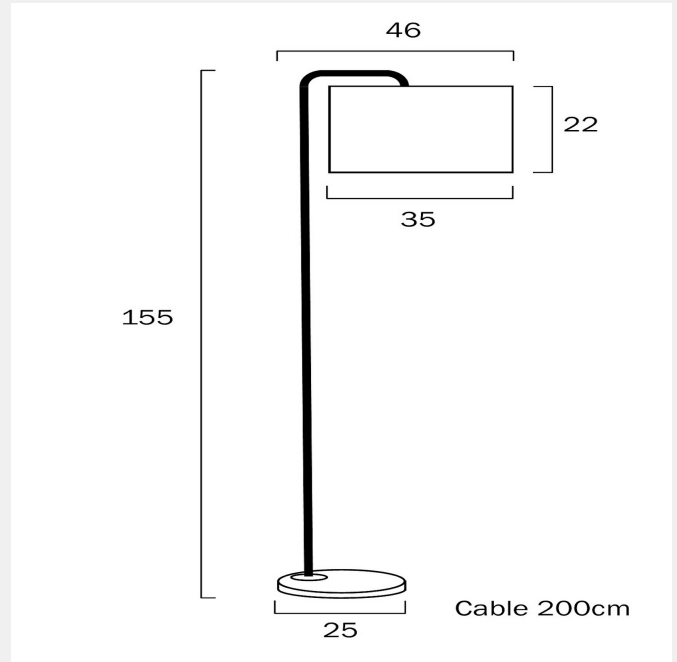


INGRID FLOOR LAMP



LIGHT SOURCE

Voltage Input

240V

Total Wattage (max)

25

Globe Type

E27

Globe / Light Source qty

1

Globe / Light Source included

No

Dimmable

Globe Dependant

SPECIFICATIONS

Lead and Plug

Yes

Switch

Foot Switch

IP rating

IP20

Height Adjustable?

No

Electrical Protection

CLASS II - DOUBLE INSULATED, EARTH NOT REQUIRED

COLOUR AND MATERIAL

Fixture Material

Marble,Iron,Fabric

PRODUCT DIMENSIONS

Fixture Weight (Kg)

4.2

Fixture Height (cm)

155

Fixture Length (cm)

46

Fixture Width (cm)

35

Cable Length (cm)

200 (50+Foot Switch+150)

WARRANTY

Replacement Warranty
*3 Years

CARE

Care Instructions
Do not use strong liquid cleaners,Wipe clean with a dry cloth

VARIANTS

[INGRID FL-GDBK] INGRID
FLOOR LAMP (GOLD| BLACK)



9329501051375

[INGRID FL-GDWH] INGRID
FLOOR LAMP (GOLD| WHITE)



9329501063668

Find INGRID FLOOR LAMP on
www.telbix.com

