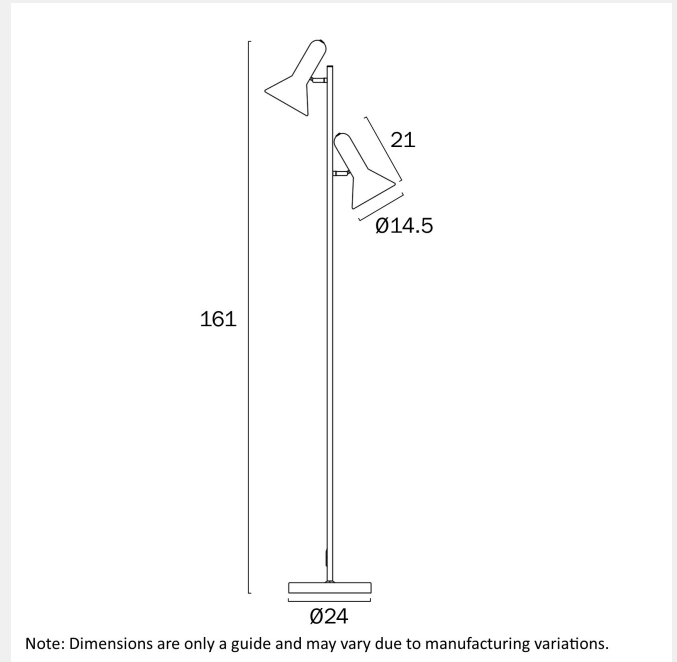


## HYVIK FLOOR LAMP



Note: Dimensions are only a guide and may vary due to manufacturing variations.

### LIGHT SOURCE

**Voltage Input**

240V

**Total Wattage (max)**

50

**Wattage**

25

**Globe Type**

E27

**Globe / Light Source qty**

2

**Globe / Light Source included**

No

**Dimmable**

Globe Dependant

### SPECIFICATIONS

**Lead and Plug**

Yes

**Switch**

Rocker switch

**IP rating**

IP20

**Height Adjustable?**

Yes

**Electrical Protection**

CLASS II - DOUBLE INSULATED, EARTH NOT REQUIRED

### COLOUR AND MATERIAL

**Fixture Material**

Iron

**Fixture Finish**

Matte

### PRODUCT DIMENSIONS

**Fixture Weight (Kg)**

3.82

**Fixture Height (cm)**

161

**Cable Length (cm)**

180

**WARRANTY**

---

Replacement Warranty  
\*3 Years

**CARE**

---

Care Instructions  
Do not use strong liquid cleaners,Wipe clean with a dry cloth

**VARIANTS**

---

[HYVIK FL2-BK] HYVIK FLOOR  
LAMP (BLACK)



9329501074091

[HYVIK FL2-BRS] HYVIK FLOOR  
LAMP (BRASS)



9329501074114

[HYVIK FL2-NK] HYVIK FLOOR  
LAMP (NICKEL)



9329501074121

[HYVIK FL2-WH] HYVIK FLOOR  
LAMP (WHITE)



9329501074107

Find HYVIK FLOOR LAMP on  
[www.telbix.com](http://www.telbix.com)

