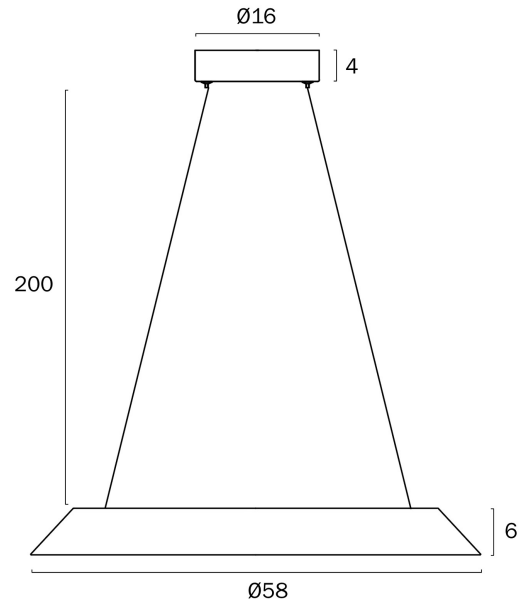


HOVIN 58CM LED PENDANT LIGHT LARGE



Note: Dimensions are only a guide and may vary due to manufacturing variations.

LIGHT SOURCE

Voltage Input

240V

Total Wattage (max)

37

Globe Type

LED integrated SMD

Globe / Light Source qty

1

Globe / Light Source included

Yes

Color Kelvin

3000k

Color Temperature

Warm White

Dimmable

Yes - TRIAC

Lumens

3750

SPECIFICATIONS

Lead and Plug

No

IP rating

IP20

Suspension Type

Textile

Height Adjustable?

Yes

Raked Ceiling Compatible

Yes

Mounting

Surface

Electrical Protection

CLASS I - HIGH VOLTAGE, EARTH REQUIRED

COLOUR AND MATERIAL

Fixture Material

Iron,Acrylic

Fixture Finish

Sand

WARRANTY

Replacement Warranty

*3 Years

PRODUCT DIMENSIONS

Fixture Weight (Kg)

2.55

Fixture Diameter (cm)

58

Fixture Height (cm)

6

Suspension Length (cm)

200

OTHER

Installation Required

Yes (by Licensed Electrician only)

CARE

Care Instructions

Aluminium, Brass and Stainless Steel will naturally oxidised and change overtime. Exterior products require regular four (4) monthly cleaning and maintenance to ensure they do not accumulate dirt or other environmental deposits. Wipe the product with a mild detergent and warm water to remove surface deposits. Rinse with fresh water and wipe dry with a soft cloth. An extra temporary protection barrier of water displacement oil can help to maintain the surface, such as WD40, sprayed onto a soft cloth and rubbed onto the surface.,Do not use strong liquid cleaners,Wipe clean with a dry cloth

VARIANTS

[HOVIN PE58-BK] HOVIN
58CM LED PENDANT LIGHT
LARGE (BLACK)



9329501075449

[HOVIN PE58-WH] HOVIN
58CM LED PENDANT LIGHT
LARGE (WHITE)



9329501075456

Find HOVIN 58CM LED PENDANT LIGHT LARGE on
www.telbix.com

