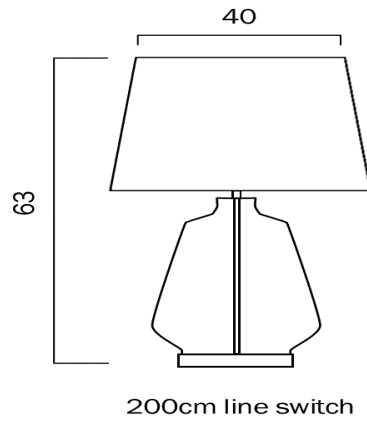


## HARPER TABLE LAMP



### LIGHT SOURCE

**Voltage Input**

240V

**Total Wattage (max)**

25

**Globe Type**

E27

**Globe / Light Source qty**

1

**Globe / Light Source included**

No

**Dimmable**

Globe Dependant

### SPECIFICATIONS

**Lead and Plug**

Yes

**Switch**

Inline Switch

**IP rating**

IP20

**Electrical Protection**

CLASS II - DOUBLE INSULATED, EARTH NOT REQUIRED

### COLOUR AND MATERIAL

**Fixture Material**

Glass,Metal,Fabric

### PRODUCT DIMENSIONS

**Fixture Height (cm)**

63

**Fixture Diameter (cm)**

40

**Cable Length (cm)**

180 (30+Inline Switch+150)

### WARRANTY

**Replacement Warranty**

\*Clearance item 1 year warranty

### CARE

**Care Instructions**

Do not use strong liquid cleaners,Wipe clean with a dry cloth

**telbix.**

**VARIANTS**

[HARPER TL-SMWH] HARPER  
TABLE LAMP (SMOKE| WHITE)



9329501057483

Find HARPER TABLE LAMP on  
[www.telbix.com](http://www.telbix.com)

