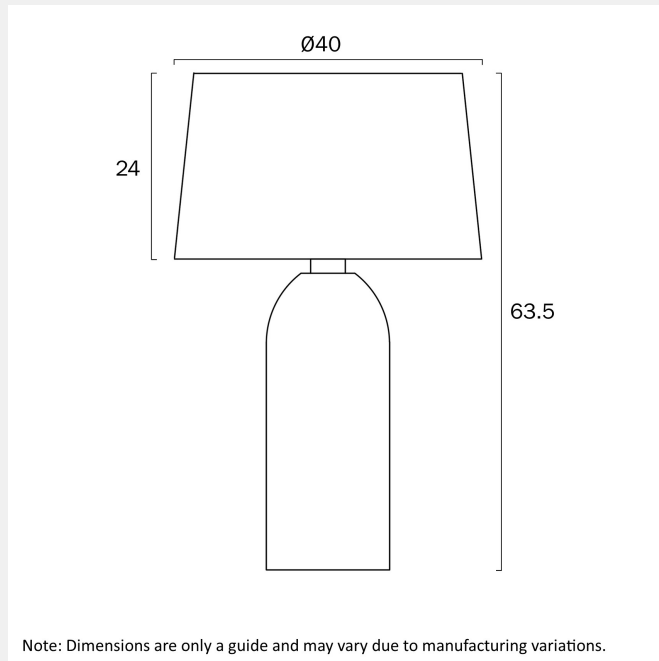


## FULVIA TRAVERTINE-LOOK TABLE LAMP



### LIGHT SOURCE

**Voltage Input**

240V

**Total Wattage (max)**

25

**Globe Type**

E27

**Globe / Light Source qty**

1

**Globe / Light Source included**

No

**Dimmable**

Globe Dependant

### SPECIFICATIONS

**Lead and Plug**

Yes

**Switch**

Inline Switch

**IP rating**

IP20

**Height Adjustable?**

No

**Electrical Protection**

CLASS II – DOUBLE INSULATED, EARTH NOT REQUIRED

### COLOUR AND MATERIAL

**Fixture Material**

Cast Stone, Fabric

**Fixture Finish**

Natural

### PRODUCT DIMENSIONS

**Fixture Weight (Kg)**

4.3

**Fixture Height (cm)**

63.5

**Fixture Diameter (cm)**

40

**Fixture Length (cm)**

40

**Fixture Width (cm)**

40

**telbix.**

**Cable Length (cm)**

180 (30+Inline Switch+150)

## WARRANTY

---

**Replacement Warranty**

\*3 Years

## CARE

---

### Care Instructions

Do not use strong liquid cleaners. Wipe clean with a dry cloth. Aluminium, Brass and Stainless Steel will naturally oxidise and change overtime. Exterior products require regular four (4) monthly cleaning and maintenance to ensure they do not accumulate dirt or other environmental deposits. Wipe the product with a mild detergent and warm water to remove surface deposits. Rinse with fresh water and wipe dry with a soft cloth. An extra temporary protection barrier of water displacement oil can help to maintain the surface, such as WD40, sprayed onto a soft cloth and rubbed onto the surface.

## VARIANTS

---

[FULVIA TL-BE] FULVIA  
TRAVERTINE-LOOK TABLE  
LAMP



9329501084397

Find FULVIA TRAVERTINE-LOOK TABLE LAMP on  
[www.telbix.com](http://www.telbix.com)

