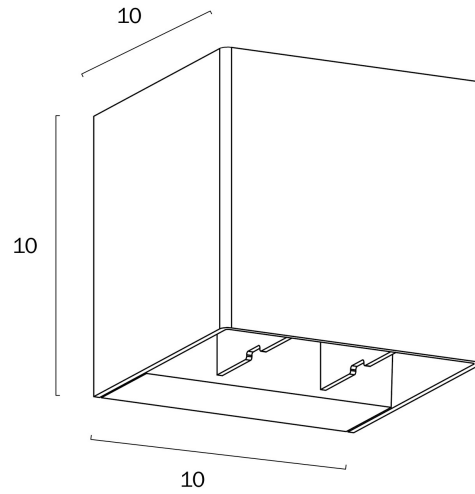


FLIP LED EXTERIOR WALL LIGHT



Note: Dimensions are only a guide and may vary due to manufacturing variations.

LIGHT SOURCE

Voltage Input

240V

Total Wattage (max)

5

Globe Type

LED integrated SMD

Globe / Light Source qty

2

Globe / Light Source included

Yes

Dimmable

No

SPECIFICATIONS

Lead and Plug

No

IP rating

IP65

Electrical Protection

CLASS II - DOUBLE INSULATED, EARTH NOT REQUIRED

Mounting

Surface

COLOUR AND MATERIAL

Fixture Material

Polycarbonate

Fixture Finish

Sand

Diffuser Material

Polycarbonate

Fixture Color

Black

PRODUCT DIMENSIONS

Fixture Weight (Kg)

0.4

Fixture Projection (cm)

10

Fixture Height (cm)

10

Fixture Length (cm)

10

WARRANTY

Replacement Warranty

*3 Years

OTHER

Installation Required

Yes (by Licensed Electrician only)

CARE

Care Instructions

Aluminium, Brass and Stainless Steel will naturally oxidised and change overtime. Exterior products require regular four (4) monthly cleaning and maintenance to ensure they do not accumulate dirt or other environmental deposits. Wipe the product with a mild detergent and warm water to remove surface deposits. Rinse with fresh water and wipe dry with a soft cloth. An extra temporary protection barrier of water displacement oil can help to maintain the surface, such as WD40, sprayed onto a soft cloth and rubbed onto the surface.,Do not use strong liquid cleaners,Wipe clean with a dry cloth

VARIANTS

[FLIP2 EX-BK] FLIP LED
EXTERIOR WALL LIGHT
(BLACK)



9329501079706

[FLIP2 EX-WH] FLIP LED
EXTERIOR WALL LIGHT
(WHITE)



9329501079713

Find FLIP LED EXTERIOR WALL LIGHT on
www.telbix.com

