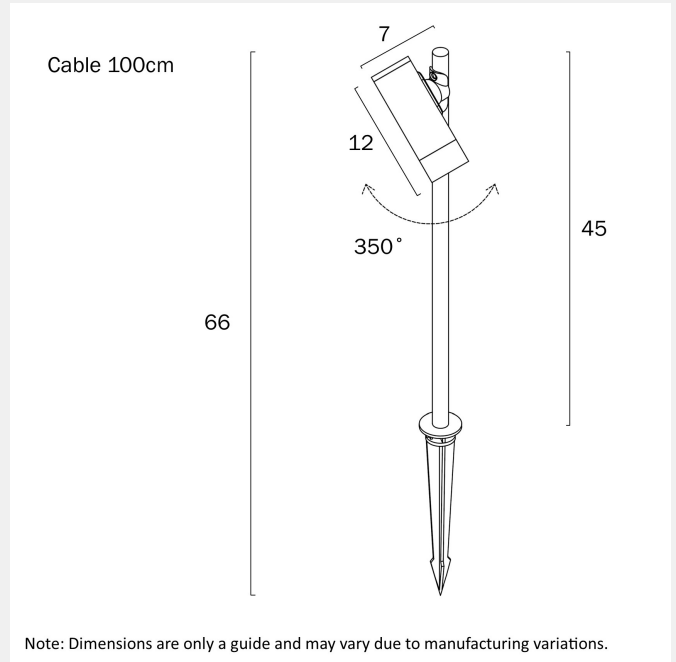


## FLANK 24V EXTERIOR LED POST LIGHT



### LIGHT SOURCE

**Voltage Input**

24V

**Total Wattage (max)**

3

**Globe Type**

LED integrated COB

**Globe / Light Source qty**

1

**Globe / Light Source included**

Yes

**Color Kelvin**

3000k

**Color Temperature**

Warm White

**Dimmable**

No

**Lumens**

210

**CRI (Color Rendering Index)**

>95

### SPECIFICATIONS

**Lead and Plug**

No

**IP rating**

IP65

**Electrical Protection**

CLASS III - LOW VOLTAGE, <54v

### COLOUR AND MATERIAL

**Fixture Finish**

Sand

**Fixture Material**

Aluminium, Glass

**Diffuser Material**

Glass

### PRODUCT DIMENSIONS

**Fixture Weight (Kg)**

0.6

**Fixture Height (cm)**

45

# Telbix.

Cable Length (cm)

100

Fixture Width (cm)

7

## WARRANTY

---

Replacement Warranty

\*3 Years

## OTHER

---

Installation Required

Yes (by Licensed Electrician only)

## CARE

---

Care Instructions

Do not use strong liquid cleaners, Wipe clean with a dry cloth, Aluminium, Brass and Stainless Steel will naturally oxidised and change overtime. Exterior products require regular four (4) monthly cleaning and maintenance to ensure they do not accumulate dirt or other environmental deposits. Wipe the product with a mild detergent and warm water to remove surface deposits. Rinse with fresh water and wipe dry with a soft cloth. An extra temporary protection barrier of water displacement oil can help to maintain the surface, such as WD40, sprayed onto a soft cloth and rubbed onto the surface.

## VARIANTS

---

[FLANK PT3-BK324] FLANK  
24V EXTERIOR LED POST  
LIGHT (BLACK)



9329501078655

[FLANK PT3-GN324] FLANK  
24V EXTERIOR LED POST  
LIGHT (GREEN)



9329501078679

[FLANK PT3-RST324] FLANK  
24V EXTERIOR LED POST  
LIGHT (RUST)



9329501078662

Find FLANK 24V EXTERIOR LED POST LIGHT on  
[www.telbix.com](http://www.telbix.com)

