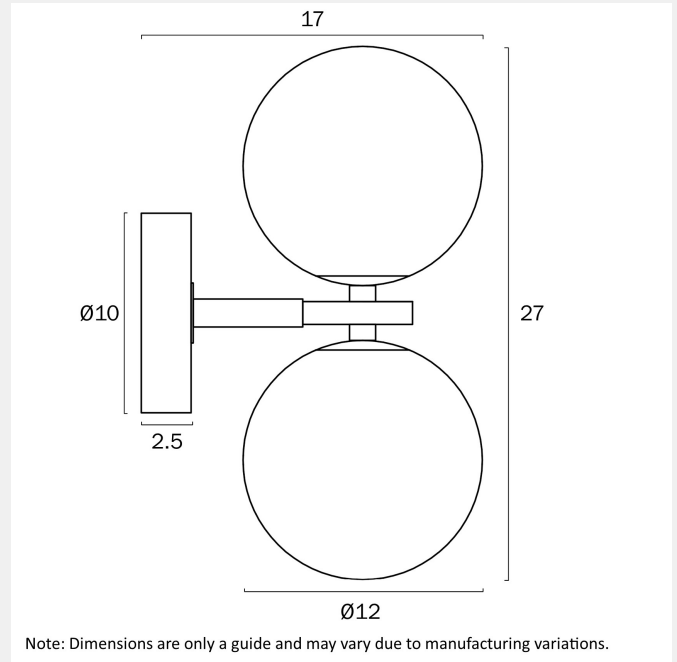


## FELTON DOUBLE WALL LIGHT



### LIGHT SOURCE

**Voltage Input**

240V

**Total Wattage (max)**

12

**Wattage**

6

**Globe Type**

G9

**Globe / Light Source qty**

2

**Globe / Light Source included**

No

**Dimmable**

Globe Dependant

### SPECIFICATIONS

**Lead and Plug**

No

**IP rating**

IP20

**Electrical Protection**

CLASS I - HIGH VOLTAGE, EARTH REQUIRED

**Mounting**

Surface

**Height Adjustable?**

No

### COLOUR AND MATERIAL

**Fixture Material**

Glass,Iron

**Fixture Finish**

Matte

**Diffuser Material**

Glass

### PRODUCT DIMENSIONS

**Fixture Weight (Kg)**

0.55

**Fixture Projection (cm)**

17

**Fixture Width (cm)**

12

**Fixture Height (cm)**

27

**WARRANTY**

---

**Replacement Warranty**

\*3 Years

**OTHER**

---

**Installation Required**

Yes (by Licensed Electrician only)

**CARE**

---

**Care Instructions**

Do not use strong liquid cleaners,Wipe clean with a dry cloth,Aluminium, Brass and Stainless Steel will naturally oxidised and change overtime. Exterior products require regular four (4) monthly cleaning and maintenance to ensure they do not accumulate dirt or other environmental deposits. Wipe the product with a mild detergent and warm water to remove surface deposits. Rinse with fresh water and wipe dry with a soft cloth. An extra temporary protection barrier of water displacement oil can help to maintain the surface, such as WD40, sprayed onto a soft cloth and rubbed onto the surface.

**VARIANTS**

---

[FELTON WB2-AGAMT]  
FELTON DOUBLE WALL LIGHT  
(f\_ANTIQUÉ GOLD, s\_AMBER  
TEAR)

[FELTON WB2-AGCLP]  
FELTON DOUBLE WALL LIGHT  
(f\_ANTIQUÉ GOLD, s\_CLEAR  
PRISM)

[FELTON WB2-AGFRT] FELTON  
DOUBLE WALL LIGHT  
(f\_ANTIQUÉ GOLD, s\_FROST  
TEAR)

[FELTON WB2-AGOM] FELTON  
DOUBLE WALL LIGHT  
(f\_ANTIQUÉ GOLD, s\_OPAL  
MATT)

[FELTON WB2-AGSM] FELTON  
DOUBLE WALL LIGHT  
(f\_ANTIQUÉ GOLD, s\_SMOKE)

[FELTON WB2-AGSMT]  
FELTON DOUBLE WALL LIGHT  
(f\_ANTIQUÉ GOLD, s\_SMOKE  
TEAR)

[FELTON WB2-BKAMT]  
FELTON DOUBLE WALL LIGHT  
(f\_BLACK, s\_AMBER TEAR)

[FELTON WB2-BKCLP] FELTON  
DOUBLE WALL LIGHT  
(f\_BLACK, s\_CLEAR PRISM)

[FELTON WB2-BKFRT] FELTON  
DOUBLE WALL LIGHT  
(f\_BLACK, s\_FROST TEAR)

[FELTON WB2-BKOM] FELTON  
DOUBLE WALL LIGHT  
(f\_BLACK, s\_OPAL MATT)

[FELTON WB2-BKSM] FELTON  
DOUBLE WALL LIGHT  
(f\_BLACK, s\_SMOKE)

[FELTON WB2-BKSMT] FELTON  
DOUBLE WALL LIGHT  
(f\_BLACK, s\_SMOKE TEAR)

Find FELTON DOUBLE WALL LIGHT on  
[www.telbix.com](http://www.telbix.com)

