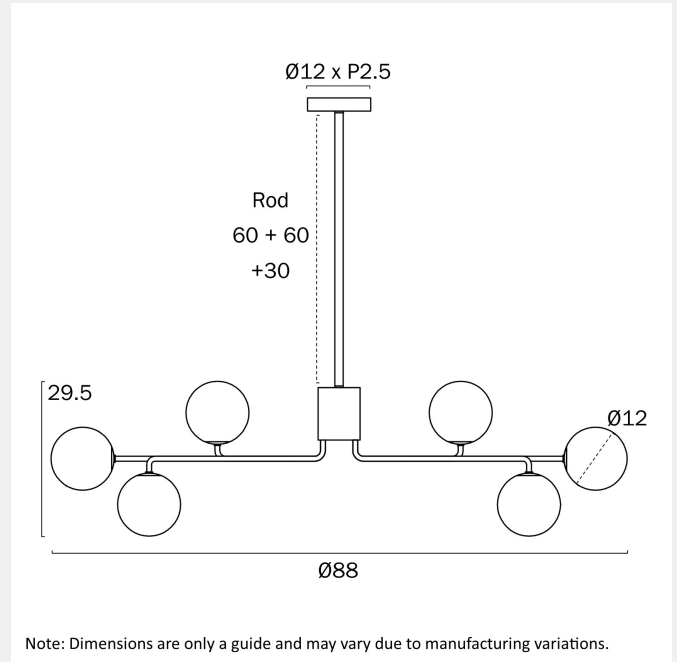


## FELTON 9 PENDANT LIGHT



### LIGHT SOURCE

**Voltage Input**

240V

**Total Wattage (max)**

54

**Wattage**

6

**Globe Type**

G9

**Globe / Light Source qty**

9

**Globe / Light Source included**

No

**Dimmable**

Globe Dependant

### SPECIFICATIONS

**Lead and Plug**

No

**IP rating**

IP20

**Suspension Type**

Rod (1x300)+(2x600)

**Height Adjustable?**

Yes

**Raked Ceiling Compatible**

No

**Mounting**

Surface

**Electrical Protection**

CLASS I - HIGH VOLTAGE, EARTH REQUIRED

### COLOUR AND MATERIAL

**Fixture Material**

Glass,Iron

**Fixture Finish**

Matte

### WARRANTY

**Replacement Warranty**

\*3 Years

## PRODUCT DIMENSIONS

---

**Fixture Weight (Kg)**

4.55

**Fixture Diameter (cm)**

88

**Fixture Height (cm)**

29.5

**Suspension Length (cm)**

150

## OTHER

---

**Installation Required**

Yes (by Licensed Electrician only)

## CARE

---

**Care Instructions**

Aluminium, Brass and Stainless Steel will naturally oxidised and change overtime. Exterior products require regular four (4) monthly cleaning and maintenance to ensure they do not accumulate dirt or other environmental deposits. Wipe the product with a mild detergent and warm water to remove surface deposits. Rinse with fresh water and wipe dry with a soft cloth. An extra temporary protection barrier of water displacement oil can help to maintain the surface, such as WD40, sprayed onto a soft cloth and rubbed onto the surface.,Do not use strong liquid cleaners,Wipe clean with a dry cloth

## VARIANTS

---

[FELTON PEO9AGAMT]  
FELTON 9 PENDANT LIGHT  
(ANTIQUÉ GOLD, AMBER TEAR)

[FELTON PEO9AGCLP] FELTON  
9 PENDANT LIGHT (ANTIQUÉ  
GOLD, CLEAR PRISM)

[FELTON PEO9AGFRT] FELTON  
9 PENDANT LIGHT (ANTIQUÉ  
GOLD, FROST TEAR)

[FELTON PEO9AGOM] FELTON  
9 PENDANT LIGHT (ANTIQUÉ  
GOLD, OPAL MATT)

[FELTON PEO9AGSM] FELTON  
9 PENDANT LIGHT (ANTIQUÉ  
GOLD, SMOKE)

[FELTON PEO9AGSMT]  
FELTON 9 PENDANT LIGHT  
(ANTIQUÉ GOLD, SMOKE  
TEAR)

[FELTON PEO9BKAMT] FELTON  
9 PENDANT LIGHT (BLACK,  
AMBER TEAR)

[FELTON PEO9BKCLP] FELTON  
9 PENDANT LIGHT (BLACK,  
CLEAR PRISM)

[FELTON PEO9BKFRT] FELTON  
9 PENDANT LIGHT (BLACK,  
FROST TEAR)

[FELTON PE09BKOM] FELTON  
9 PENDANT LIGHT (BLACK,  
OPAL MATT)

[FELTON PE09BKSM] FELTON  
9 PENDANT LIGHT (BLACK,  
SMOKE)

[FELTON PE09BKSM] FELTON  
9 PENDANT LIGHT (BLACK,  
SMOKE TEAR)

Find FELTON 9 PENDANT LIGHT on  
[www.telbix.com](http://www.telbix.com)

