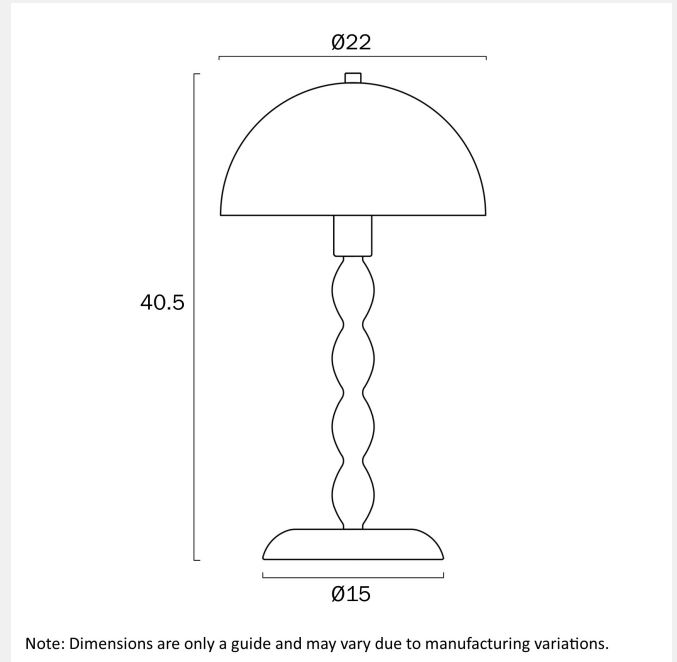


## ESTIQ TABLE LAMP



Note: Dimensions are only a guide and may vary due to manufacturing variations.

### LIGHT SOURCE

**Voltage Input**

240V

**Total Wattage (max)**

25

**Globe Type**

E14

**Globe / Light Source qty**

1

**Globe / Light Source included**

No

**Dimmable**

Globe Dependant

### SPECIFICATIONS

**Lead and Plug**

Yes

**Switch**

Inline Switch

**IP rating**

IP20

**Electrical Protection**

CLASS II - DOUBLE INSULATED, EARTH NOT REQUIRED

### COLOUR AND MATERIAL

**Fixture Material**

Iron

**Fixture Finish**

Gloss

**Fixture Pantone Color**

RAL 3003 or RAL 1019

### PRODUCT DIMENSIONS

**Fixture Weight (Kg)**

1.3

**Fixture Height (cm)**

40.5

**Fixture Diameter (cm)**

22

**Cable Length (cm)**

180 (30+Inline Switch+150)

**WARRANTY**

---

**Replacement Warranty**

\*3 Years

**CARE**

---

**Care Instructions**

Do not use strong liquid cleaners,Wipe clean with a dry cloth

**VARIANTS**

---

[ESTIQ TL-BK] ESTIQ TABLE  
LAMP (BLACK)



9329501081655

[ESTIQ TL-RD] ESTIQ TABLE  
LAMP (RED)



9329501081686

[ESTIQ TL-TP] ESTIQ TABLE  
LAMP (TAUPE)



9329501081679

Find ESTIQ TABLE LAMP on  
[www.telbix.com](http://www.telbix.com)

