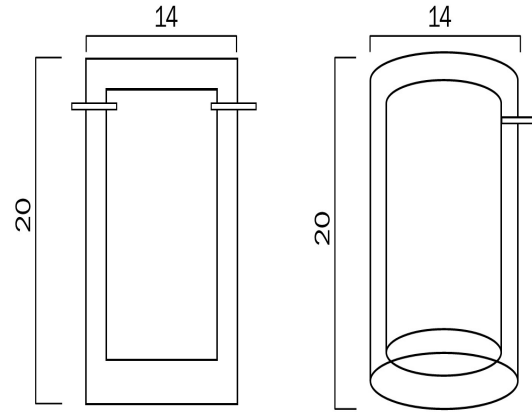


## ENVOY BATTEN FIX CEILING LIGHT



### LIGHT SOURCE

**Globe Type**

B22

**Globe / Light Source qty**

1

**Globe / Light Source included**

No

**Dimmable**

Globe Dependant

### SPECIFICATIONS

**Lead and Plug**

No

**IP rating**

IP20

**Mounting**

Batten Fix (DIY)

### COLOUR AND MATERIAL

**Fixture Material**

Glass,Metal

### PRODUCT DIMENSIONS

**Fixture Projection (cm)**

20

**Fixture Height (cm)**

20

**Fixture Diameter (cm)**

14

### WARRANTY

**Replacement Warranty**

\*3 Years

### OTHER

**Installation Required**

Yes (DIY)

## CARE

---

### Care Instructions

Wipe the product with a mild detergent and warm water to remove surface deposits. Rinse with fresh water and wipe dry with a soft cloth. An extra temporary protection barrier of water displacement oil can help to maintain the surface, such as WD40, sprayed onto a soft cloth and rubbed onto the surface. Do not use strong liquid cleaners. Wipe clean with a dry cloth. Aluminium, Brass and Stainless Steel will naturally oxidised and change overtime. Exterior products require regular four (4) monthly cleaning and maintenance to ensure they do not accumulate dirt or other environmental deposits.

## VARIANTS

---

[ENVOY BF-OM] ENVOY  
BATTEN FIX CEILING LIGHT



9329501016480

Find ENVOY BATTEN FIX CEILING LIGHT on  
[www.telbix.com](http://www.telbix.com)

