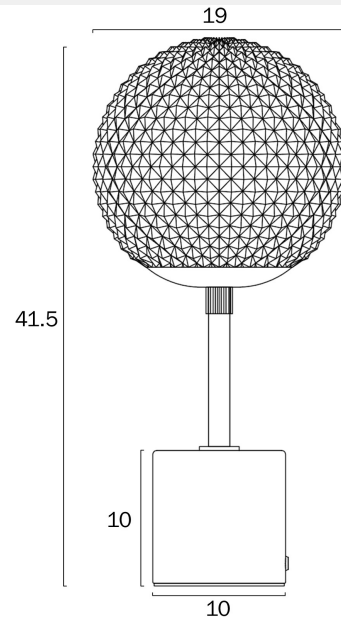


## ELWICK TABLE LAMP



Note: Dimensions are only a guide and may vary due to manufacturing variations.

### LIGHT SOURCE

**Voltage Input**

240V

**Total Wattage (max)**

25

**Globe Type**

E27

**Globe / Light Source qty**

1

**Globe / Light Source included**

No

**Dimmable**

Globe Dependant

### SPECIFICATIONS

**Lead and Plug**

Yes

**Switch**

Inline Switch

**IP rating**

IP20

**Electrical Protection**

CLASS II - DOUBLE INSULATED, EARTH NOT REQUIRED

### COLOUR AND MATERIAL

**Fixture Material**

Marble,Iron,Glass

**Fixture Finish**

Gloss

### PRODUCT DIMENSIONS

**Fixture Weight (Kg)**

3.06

**Fixture Height (cm)**

41.5

**Fixture Diameter (cm)**

19

**Fixture Width (cm)**

19

**Cable Length (cm)**

180 (30+Inline Switch+150)

## WARRANTY

---

### Replacement Warranty

\*3 Years

## CARE

---

### Care Instructions

Do not use strong liquid cleaners,Wipe clean with a dry cloth

## VARIANTS

---

[ELWICK TL-BKSM] ELWICK  
TABLE LAMP (BLACK| SMOKE)



9329501067727

[ELWICK TL-BRWAM] ELWICK  
TABLE LAMP (BROWN| AMBER)



9329501067734

[ELWICK TL-GN] ELWICK  
TABLE LAMP (GREEN)



9329501067741

Find ELWICK TABLE LAMP on  
[www.telbix.com](http://www.telbix.com)

