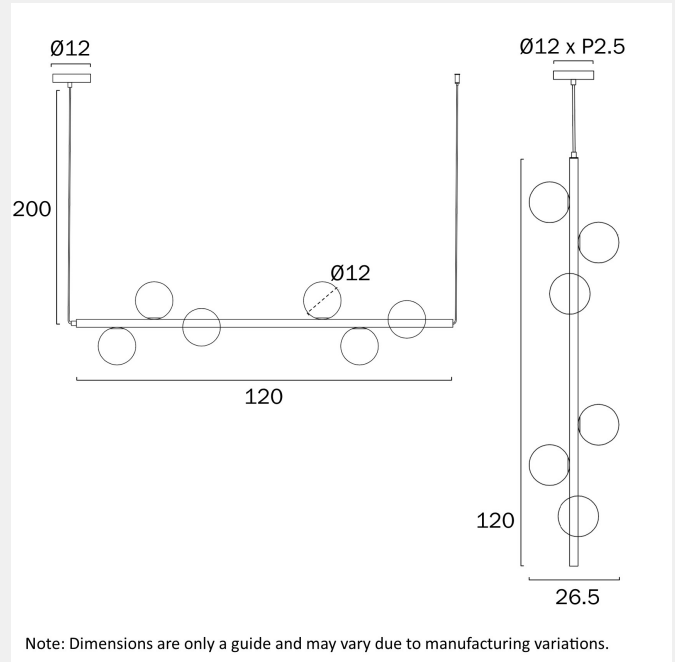


## ELSON 6 PENDANT LIGHT



### LIGHT SOURCE

**Voltage Input**

240V

**Total Wattage (max)**

36

**Wattage**

6

**Globe Type**

G9

**Globe / Light Source qty**

6

**Globe / Light Source included**

No

**Dimmable**

Globe Dependant

### SPECIFICATIONS

**Lead and Plug**

No

**IP rating**

IP20

**Height Adjustable?**

Yes

**Raked Ceiling Compatible**

No

**Mounting**

Surface

**Electrical Protection**

CLASS I - HIGH VOLTAGE, EARTH REQUIRED

### COLOUR AND MATERIAL

**Fixture Material**

Iron,Glass

**Fixture Finish**

Matte

### WARRANTY

**Replacement Warranty**

\*3 Years

### PRODUCT DIMENSIONS

**Fixture Weight (Kg)**

1.3

**Fixture Height (cm)**

120

**Fixture Width (cm)**

26.5

**Suspension Length (cm)**

200

**OTHER****Installation Required**

Yes (by Licensed Electrician only)

**CARE****Care Instructions**

Aluminium, Brass and Stainless Steel will naturally oxidised and change overtime. Exterior products require regular four (4) monthly cleaning and maintenance to ensure they do not accumulate dirt or other environmental deposits. Wipe the product with a mild detergent and warm water to remove surface deposits. Rinse with fresh water and wipe dry with a soft cloth. An extra temporary protection barrier of water displacement oil can help to maintain the surface, such as WD40, sprayed onto a soft cloth and rubbed onto the surface. Do not use strong liquid cleaners, Wipe clean with a dry cloth

**VARIANTS**

[ELSON PE06-AGAMT] ELSON  
6 PENDANT LIGHT (f\_ANTIQU  
GOLD, s\_AMBER TEAR)

[ELSON PE06-AGCLP] ELSON  
6 PENDANT LIGHT (f\_ANTIQU  
GOLD, s\_CLEAR PRISM)

[ELSON PE06-AGFRT] ELSON  
6 PENDANT LIGHT (f\_ANTIQU  
GOLD, s\_FROST TEAR)

[ELSON PE06-AGOM] ELSON  
6 PENDANT LIGHT (f\_ANTIQU  
GOLD, s\_OPAL MATT)

[ELSON PE06-AGSM] ELSON 6  
PENDANT LIGHT (f\_ANTIQU  
GOLD, s\_SMOKE)

[ELSON PE06-AGSMT] ELSON  
6 PENDANT LIGHT (f\_ANTIQU  
GOLD, s\_SMOKE TEAR)

[ELSON PE06-BKAMT] ELSON  
6 PENDANT LIGHT (f\_BLACK,  
s\_AMBER TEAR)

[ELSON PE06-BKCLP] ELSON  
6 PENDANT LIGHT (f\_BLACK,  
s\_CLEAR PRISM)

[ELSON PE06-BKFRT] ELSON  
6 PENDANT LIGHT (f\_BLACK,  
s\_FROST TEAR)

[ELSON PE06-BKOM] ELSON 6  
PENDANT LIGHT (f\_BLACK,  
s\_OPAL MATT)

[ELSON PE06-BKSM] ELSON 6  
PENDANT LIGHT (f\_BLACK,  
s\_SMOKE)

[ELSON PE06-BKSMT] ELSON  
6 PENDANT LIGHT (f\_BLACK,  
s\_SMOKE TEAR)

Find ELSON 6 PENDANT LIGHT on  
[www.telbix.com](http://www.telbix.com)

