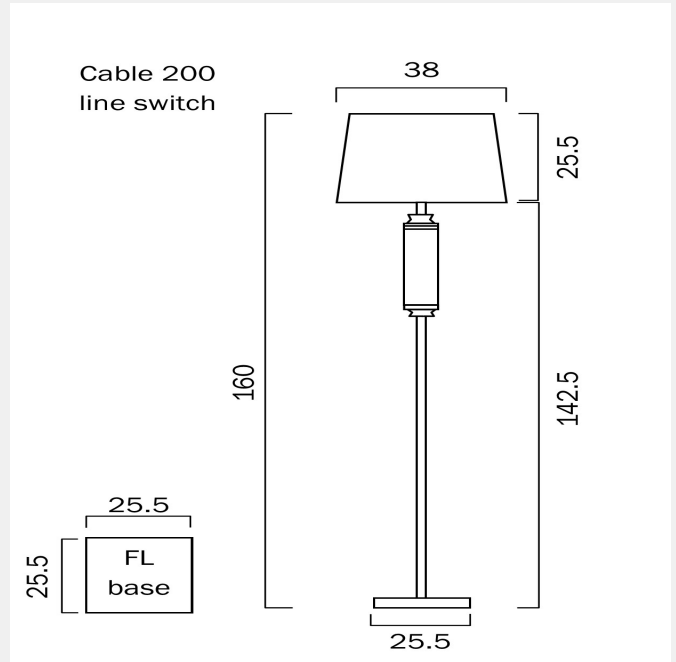


## DORCEL FLOOR LAMP



### LIGHT SOURCE

**Voltage Input**

240V

**Total Wattage (max)**

25

**Globe Type**

E27

**Globe / Light Source qty**

1

**Globe / Light Source included**

No

**Dimmable**

Globe Dependant

### SPECIFICATIONS

**Lead and Plug**

Yes

**Switch**

Foot Switch

**IP rating**

IP20

**Height Adjustable?**

No

**Electrical Protection**

CLASS II - DOUBLE INSULATED, EARTH NOT REQUIRED

### COLOUR AND MATERIAL

**Fixture Material**

Iron,Glass

### PRODUCT DIMENSIONS

**Fixture Weight (Kg)**

4

**Fixture Height (cm)**

160

**Fixture Diameter (cm)**

33

**Cable Length (cm)**

200 (50+Foot Switch+150)

### WARRANTY

**Replacement Warranty**

\*3 Years

**CARE**

---

**Care Instructions**

Do not use strong liquid cleaners,Wipe clean with a dry cloth

**VARIANTS**

---

[DORCEL FL-ABAM] DORCEL  
FLOOR LAMP (ANTIQUE  
BRASS| AMBER)



9329501054598

[DORCEL FL-NKCL] DORCEL  
FLOOR LAMP (NICKEL| CLEAR)



9329501054611

Find DORCEL FLOOR LAMP on  
[www.telbix.com](http://www.telbix.com)

