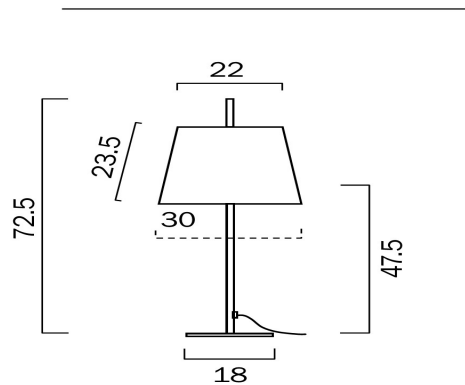


## DIOR TABLE LAMP



### LIGHT SOURCE

**Voltage Input**

240V

**Total Wattage (max)**

25

**Globe Type**

E27

**Globe / Light Source qty**

1

**Globe / Light Source included**

No

**Dimmable**

Globe Dependant

### SPECIFICATIONS

**Lead and Plug**

Yes

**Switch**

Inline Switch

**IP rating**

IP20

**Electrical Protection**

CLASS II - DOUBLE INSULATED, EARTH NOT REQUIRED

### COLOUR AND MATERIAL

**Fixture Material**

Metal

### PRODUCT DIMENSIONS

**Fixture Height (cm)**

71

**Fixture Diameter (cm)**

30

**Cable Length (cm)**

180 (30+Inline Switch+150)

### WARRANTY

**Replacement Warranty**

\*3 Years

### CARE

**Care Instructions**

Do not use strong liquid cleaners,Wipe clean with a dry cloth

VARIANTS

[DIOR TL-BLAB] DIOR TABLE  
LAMP (BLUE| ANTIQUE BRASS)



9329501055274

Find DIOR TABLE LAMP on  
[www.telbix.com](http://www.telbix.com)

