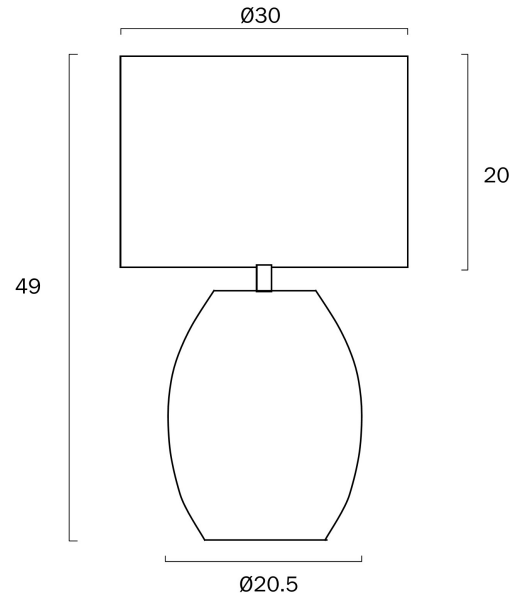


## DILLION CERAMIC TABLE LAMP



Note: Dimensions are only a guide and may vary due to manufacturing variations.

### LIGHT SOURCE

**Voltage Input**

240V

**Total Wattage (max)**

25

**Globe Type**

E27

**Globe / Light Source qty**

1

**Globe / Light Source included**

No

**Dimmable**

Globe Dependant

### SPECIFICATIONS

**Lead and Plug**

Yes

**Switch**

Inline Switch

**IP rating**

IP20

**Electrical Protection**

CLASS II - DOUBLE INSULATED, EARTH NOT REQUIRED

### COLOUR AND MATERIAL

**Fixture Material**

Ceramic,Fabric

**Fixture Finish**

Textured,Gloss

### PRODUCT DIMENSIONS

**Fixture Weight (Kg)**

2.2

**Fixture Height (cm)**

50

**Fixture Diameter (cm)**

30

**Cable Length (cm)**

180 (30+Inline Switch+150)

### WARRANTY

**Replacement Warranty**

\*3 Years

**telbix.**

## CARE

---

### Care Instructions

Do not use strong liquid cleaners,Wipe clean with a dry cloth

## VARIANTS

---

[DILLION TL-SLWH] DILLION  
CERAMIC TABLE LAMP



9329501059203

Find DILLION CERAMIC TABLE LAMP on  
[www.telbix.com](http://www.telbix.com)

