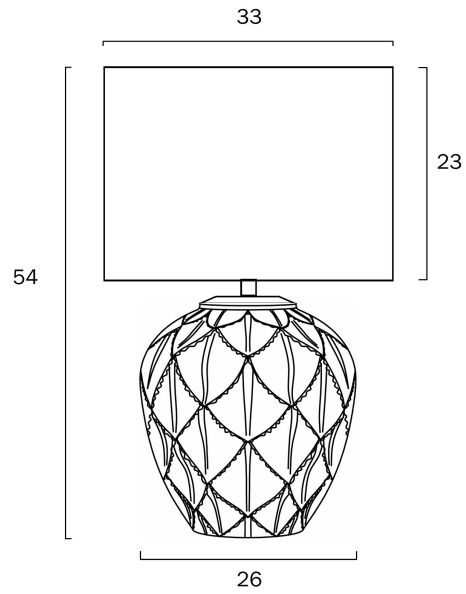


## DIAZ CERAMIC TABLE LAMP



Note: Dimensions are only a guide and may vary due to manufacturing variations.

### LIGHT SOURCE

**Voltage Input**

240V

**Total Wattage (max)**

25

**Globe Type**

E27

**Globe / Light Source qty**

1

**Globe / Light Source included**

No

**Dimmable**

Globe Dependant

### SPECIFICATIONS

**Lead and Plug**

Yes

**Switch**

Inline Switch

**IP rating**

IP20

**Electrical Protection**

CLASS II - DOUBLE INSULATED, EARTH NOT REQUIRED

### COLOUR AND MATERIAL

**Fixture Material**

Fabric,Ceramic

**Fixture Finish**

Gloss

**Fixture Pantone Color**

7623 CP (RDWH) or 5625 CP (GNWH) or 2757 CP (BLWH)

### PRODUCT DIMENSIONS

**Fixture Weight (Kg)**

2.8

**Fixture Height (cm)**

54

**Fixture Diameter (cm)**

33

**Cable Length (cm)**

180 (30+Inline Switch+150)

**WARRANTY**

---

**Replacement Warranty**

\*3 Years

**CARE**

---

**Care Instructions**

Do not use strong liquid cleaners,Wipe clean with a dry cloth

**VARIANTS**

---

[DIAZ TL-BKWH] DIAZ  
CERAMIC TABLE LAMP  
(BLACK)



9329501059739

[DIAZ TL-BLWH] DIAZ  
CERAMIC TABLE LAMP (BLUE)



9329501059722

[DIAZ TL-GNWH] DIAZ  
CERAMIC TABLE LAMP  
(GREEN)



9329501059708

[DIAZ TL-RDWH] DIAZ  
CERAMIC TABLE LAMP (RED)



9329501059715

Find DIAZ CERAMIC TABLE LAMP on  
[www.telbix.com](http://www.telbix.com)

