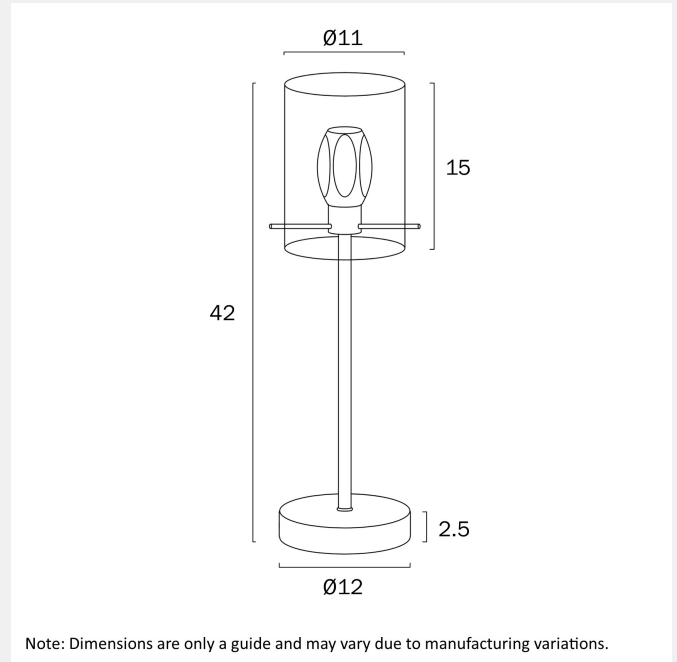


## CREVIL LED TABLE LAMP



### LIGHT SOURCE

**Voltage Input**

240V

**Total Wattage (max)**

4

**Globe Type**

LED integrated SMD

**Globe / Light Source qty**

1

**Globe / Light Source included**

Yes

**Color Kelvin**

4000k

**Color Temperature**

Natural White

**Dimmable**

No

**CRI (Color Rendering Index)**

>80

**Lumens**

320

### SPECIFICATIONS

**Lead and Plug**

Yes

**Switch**

Inline Switch

**IP rating**

IP20

**Electrical Protection**

CLASS III - LOW VOLTAGE, <54v

### COLOUR AND MATERIAL

**Fixture Material**

Iron, Glass

**Glass Color**

Amber or Smoke

### PRODUCT DIMENSIONS

**Fixture Weight (Kg)**

0.9

**Fixture Height (cm)**

42

**telbix.**

**Fixture Diameter (cm)**

12

**Cable Length (cm)**

180 (30+Inline Switch+150)

## WARRANTY

---

**Replacement Warranty**

\*3 Years

## CARE

---

**Care Instructions**

Do not use strong liquid cleaners,Wipe clean with a dry cloth

## VARIANTS

---

[CREVIL TL-AGAM] CREVIL  
LED TABLE LAMP (ANTIQUE  
GOLD)



9329501080290

[CREVIL TL-BKSM] CREVIL LED  
TABLE LAMP (BLACK)



9329501080306

Find CREVIL LED TABLE LAMP on  
[www.telbix.com](http://www.telbix.com)

