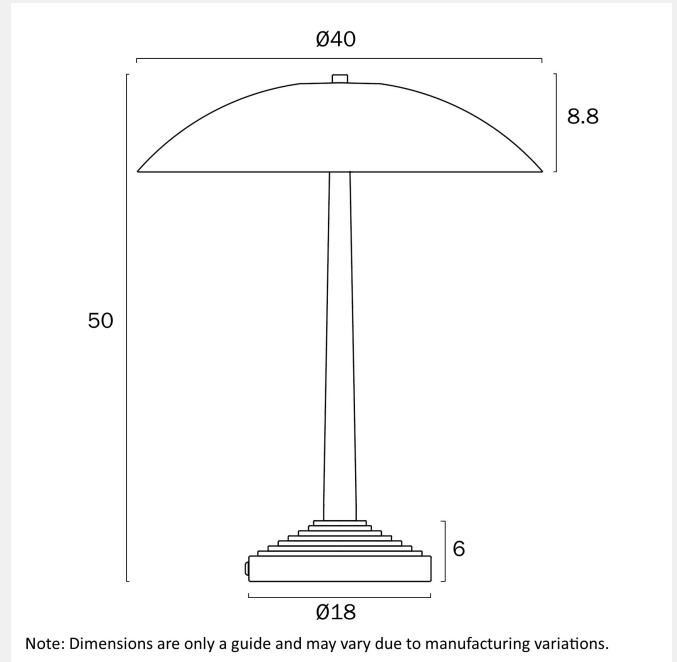


## CORVUS TABLE LAMP



### LIGHT SOURCE

**Voltage Input**

240V

**Total Wattage (max)**

50

**Wattage**

25

**Globe Type**

E27

**Globe / Light Source qty**

2

**Globe / Light Source included**

No

**Dimmable**

Globe Dependant

### SPECIFICATIONS

**Lead and Plug**

Yes

**Switch**

Touch

**IP rating**

IP20

**Electrical Protection**

CLASS II – DOUBLE INSULATED, EARTH NOT REQUIRED

### COLOUR AND MATERIAL

**Fixture Material**

Iron

**Fixture Finish**

Satin

### PRODUCT DIMENSIONS

**Fixture Weight (Kg)**

2.8

**Fixture Height (cm)**

50

**Fixture Diameter (cm)**

40

**Cable Length (cm)**

180

**telbix.**

## WARRANTY

---

**Replacement Warranty**

\*3 Years

## CARE

---

**Care Instructions**

Do not use strong liquid cleaners,Wipe clean with a dry cloth

## VARIANTS

---

[CORVUS TL-AB] CORVUS  
TABLE LAMP



9329501074565

Find CORVUS TABLE LAMP on  
[www.telbix.com](http://www.telbix.com)

