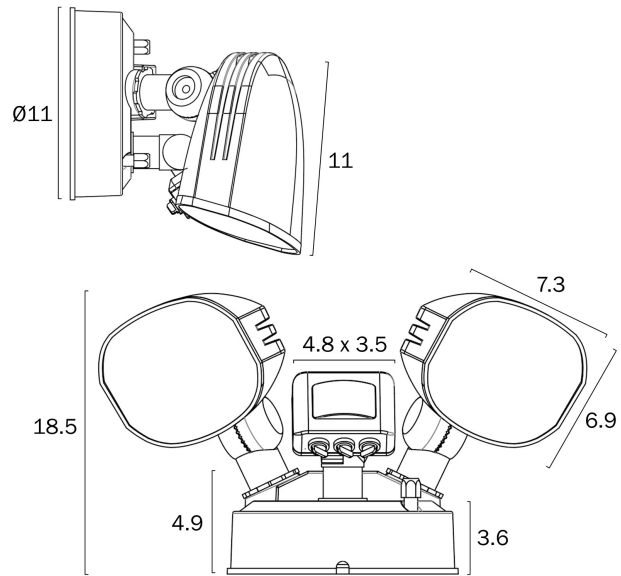


CLARION TWIN EXTERIOR LED SPOTLIGHT WITH SENSOR



Note: Dimensions are only a guide and may vary due to manufacturing variations.

LIGHT SOURCE

Voltage Input

240V

Total Wattage (max)

20

Wattage

10

Globe Type

LED integrated SMD

Globe / Light Source qty

2

Globe / Light Source included

Yes

Color Kelvin

3 CCT (3000k - 4000k - 6000k)

Color Temperature

Warm White, Natural White, Daylight

Dimmable

No

Lumens

1800

CRI (Color Rendering Index)

>80

Surge Protection (Yes/No)

Yes

SPECIFICATIONS

Lead and Plug

No

IP rating

IP54

Electrical Protection

CLASS II - DOUBLE INSULATED, EARTH NOT REQUIRED

Beam Angle (degree)

90

Mounting

Surface

COLOUR AND MATERIAL

Fixture Material

Polycarbonate

Fixture Finish

Sand

telbix.

Diffuser Material
Polycarbonate

PRODUCT DIMENSIONS

Fixture Weight (Kg)
0.47

Fixture Projection (cm)
18.5

WARRANTY

Replacement Warranty
*3 Years

OTHER

Installation Required
Yes (by Licensed Electrician only)

CARE

Care Instructions
Do not use strong liquid cleaners,Wipe clean with a dry cloth

VARIANTS

[CLARION EX2S-BK] CLARION
TWIN EXTERIOR LED
SPOTLIGHT WITH SENSOR



9329501072301

Find CLARION TWIN EXTERIOR LED SPOTLIGHT WITH SENSOR on
www.telbix.com

